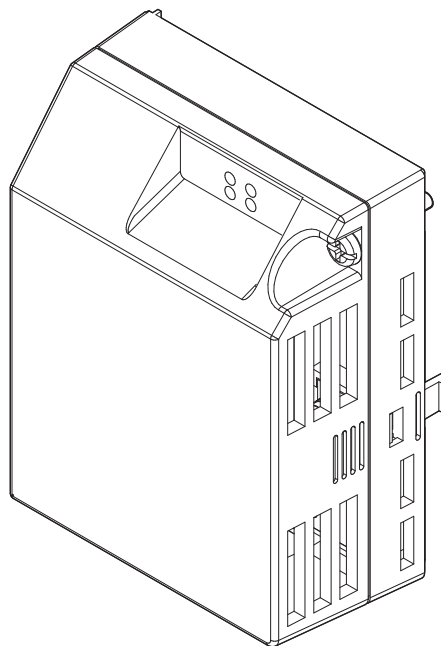


YASKAWA AC Drive-V1000 Option

PROFINET Technical Manual

Type SI-EP3/V

To properly use the product, read this manual thoroughly and retain for easy reference, inspection, and maintenance. Ensure the end user receives this manual.



Copyright © 2011 YASKAWA AMERICA, INC.

All rights reserved. No part of this publication may be reproduced, stored in a retrieval system, or transmitted, in any form or by any means, mechanical, electronic, photocopying, recording, or otherwise, without the prior written permission of Yaskawa. No patent liability is assumed with respect to the use of the information contained herein. Moreover, because Yaskawa is constantly striving to improve its high-quality products, the information contained in this manual is subject to change without notice. Every precaution has been taken in the preparation of this manual. Yaskawa assumes no responsibility for errors or omissions. Neither is any liability assumed for damages resulting from the use of the information contained in this publication.

Table of Contents

1	PREFACE AND SAFETY	5
2	PRODUCT OVERVIEW	8
3	RECEIVING	9
4	OPTION COMPONENTS	10
5	INSTALLATION PROCEDURE	13
6	OPTION DRIVE PARAMETERS	22
7	PROFINET MESSAGING	24
8	COMMUNICATION	28
9	WEB INTERFACE	41
10	TROUBLESHOOTING	48
11	SPECIFICATIONS	51

This Page Intentionally Blank


1 Preface and Safety

Yaskawa manufactures products used as components in a wide variety of industrial systems and equipment. The selection and application of Yaskawa products remain the responsibility of the equipment manufacturer or end user. Yaskawa accepts no responsibility for the way its products are incorporated into the final system design. Under no circumstances should any Yaskawa product be incorporated into any product or design as the exclusive or sole safety control. Without exception, all controls should be designed to detect faults dynamically and fail safely under all circumstances. All systems or equipment designed to incorporate a product manufactured by Yaskawa must be supplied to the end user with appropriate warnings and instructions as to the safe use and operation of that part. Any warnings provided by Yaskawa must be promptly provided to the end user. Yaskawa offers an express warranty only as to the quality of its products in conforming to standards and specifications published in the Yaskawa manual. **NO OTHER WARRANTY, EXPRESS OR IMPLIED, IS OFFERED.** Yaskawa assumes no liability for any personal injury, property damage, losses, or claims arising from misapplication of its products.


◆ Applicable Documentation

The following manuals are available for the PROFINET option:

PROFINET Option

	Yaskawa AC Drive V1000-Series Option SI-EP3/V PROFINET Installation Manual Manual No: TOEP YEACOM 06	Read this manual first. The installation manual is packaged with the option and contains information required to install the option, verify operation, and set up related drive parameters.
	Yaskawa AC Drive V1000-Series Option SI-EP3/V PROFINET Technical Manual Manual No: SIEP YEACOM 06	The technical manual contains detailed information about the option pertaining to communication protocols, and supported features and messaging. In the U.S., access; http://www.yaskawa.com to obtain the Technical Manual. Customers in other areas should contact a Yaskawa representative.

Yaskawa Drive

	Yaskawa AC Drive V1000 Quick Start Guide Manual: TOEP C710616 14	The drive manuals cover basic installation, wiring, operation procedures, functions, troubleshooting, and maintenance information. The manuals also include important information about parameter settings and drive tuning. Access these sites to obtain Yaskawa instruction manuals; U.S.: http://www.yaskawa.com Europe: http://www.yaskawa.eu.com Japan: http://www.e-mechatronics.com Other areas: contact a Yaskawa representative.
	Yaskawa AC Drive V1000 Technical Manual Manual: SIEP C710606 18	

◆ Terms

- Note:** Indicates supplemental information that is not related to safety messages
- Drive:** Yaskawa AC Drive V1000-Series
- Option:** Yaskawa AC Drive V1000-Series SI-EP3/V PROFINET option
- H:** Indicates an engineering unit for hexadecimal number format
- ≥ 1012:** Indicates a drive feature or function that is only available in drive software version 1012 or greater

◆ Registered Trademarks

- All trademarks are the property of their respective owners.

◆ Supplemental Safety Information

Read and understand this manual before installing, operating, or servicing this option. The option must be installed according to this manual and local codes.

The following conventions are used to indicate safety messages in this manual. Failure to heed these messages could result in serious or possibly even fatal injury or damage to the products or to related equipment and systems.

DANGER

Indicates a hazardous situation, which, if not avoided, will result in death or serious injury.

WARNING

Indicates a hazardous situation, which, if not avoided, could result in death or serious injury.

CAUTION

Indicates a hazardous situation, which, if not avoided, could result in minor or moderate injury.

NOTICE

Indicates an equipment damage message.

■ General Safety

General Precautions

- The diagrams in this section may include options and drives without covers or safety shields to illustrate details. Be sure to reinstall covers or shields before operating any devices. The option should be used according to the instructions described in this manual.
- Any illustrations, photographs, or examples used in this manual are provided as examples only and may not apply to all products to which this manual is applicable.
- The products and specifications described in this manual or the content and presentation of the manual may be changed without notice to improve the product and/or the manual.
- When ordering new copies of the manual, contact a Yaskawa representative or the nearest Yaskawa sales office and provide the manual number shown on the front cover.

DANGER

Heed the safety messages in this manual.

Failure to comply will result in death or serious injury.

The operator is responsible for injuries or equipment damage caused from failure to heed the warnings in the manual.

NOTICE

Do not expose the drive or option to halogen group disinfectants.

Failure to comply may cause damage to the electrical components in the option.

Do not pack the drive in wooden materials that have been fumigated or sterilized.

Do not sterilize the entire package after the product is packed.

Do not modify the drive or option circuitry.

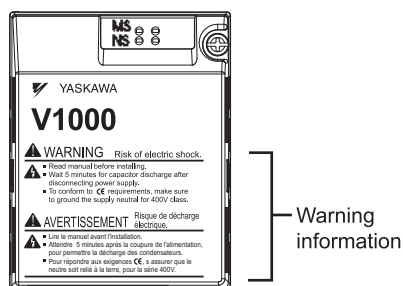
Failure to comply could result in damage to the drive or option and will void warranty.

Yaskawa is not responsible for any modification of the product made by the user.

This product must not be modified.

■ Option Unit Warning Labels

Warning information is displayed on the option unit as shown in the figure below. Follow all warnings and safety instructions when using the product.



■ Warning Contents

⚠ WARNING Risk of electric shock.

- Read manual before installing.
- Wait 5 minutes for capacitor discharge after disconnecting power supply.
- To conform to **CE** requirements, make sure to ground the supply neutral for 400V class.

⚠ AVERTISSEMENT Risque de décharge électrique.

- Lire le manuel avant l'installation.
- Attendre 5 minutes après la coupure de l'alimentation, pour permettre la décharge des condensateurs.
- Pour répondre aux exigences **CE**, s'assurer que le neutre soit relié à la terre, pour la série 400V.

2 Product Overview

◆ About This Product

The SI-EP3/V option connects the V1000 drive to a PROFINET network and facilitates the exchange of data.

This manual explains the handling, installation and specifications of this product.

The SI-EP3/V option is a simple, networking solution that reduces the cost and time to wire and install factory automation devices, while providing interchangeability of like components from multiple vendors.

By installing the option to a drive, it is possible to do the following from a PROFINET master device:

- Operate the drive
- Monitor the operation status of the drive
- Change parameter settings.

SI-EP3/V is PROFINET Conformance Class A certified.

◆ Applicable Models

This option can be used with the drive models in [Table 1](#).

Table 1 Applicable Models

Drive	Software Version <1>
CIMR-V□□A□□□□A□	≥ 1012

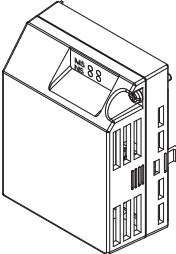
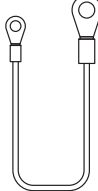
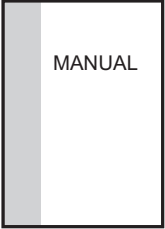
<1> See “PRG” on the drive nameplate for the software version number.

3 Receiving

Please perform the following tasks after receiving the option.

- Inspect the option for damage. Contact the shipper immediately if the option appears damaged upon receipt.
- Verify receipt of the correct model by checking the model number printed on the option nameplate (*Refer to Top Views of Option on page 10* for nameplate positioning).
- Contact your supplier if you have received the wrong model or the option does not function properly.

◆ Option Package Contents

Description:	Option Unit	Ground Wire	Installation Manual
—			
Quantity:	1	4	1

◆ Tools Required for Installation

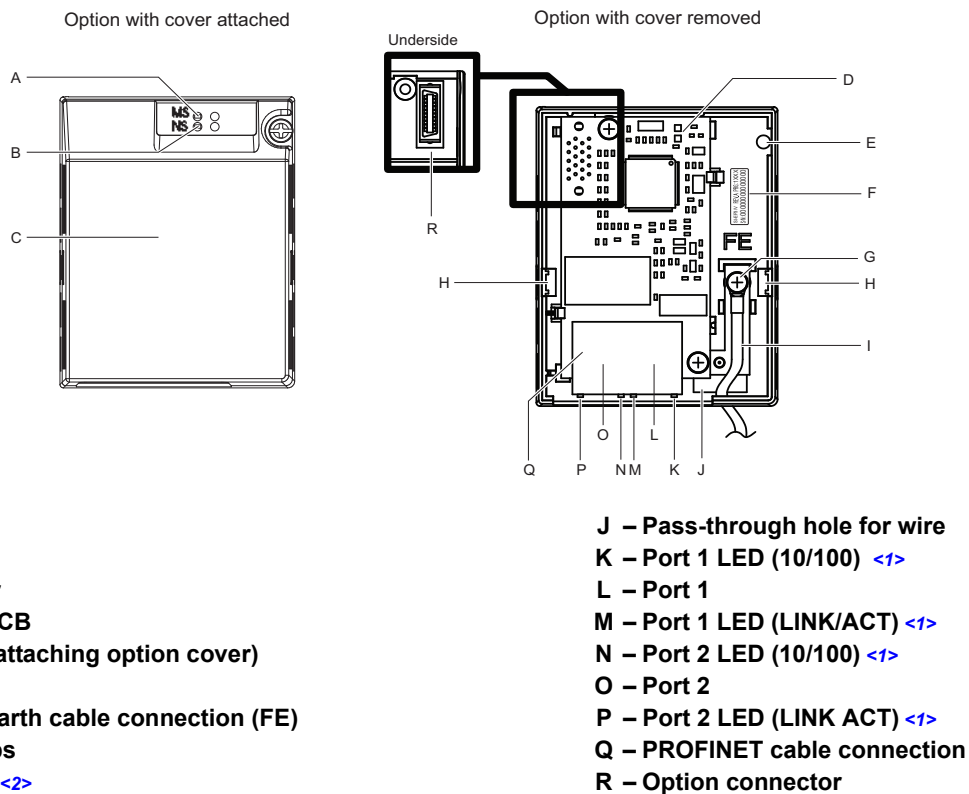
A Phillips screwdriver (M3 metric/#1, #2 U.S. standard size*) is required to install the option and remove drive front covers.

*Screw sizes vary by drive capacity. Select a screwdriver appropriate for the drive capacity.

Note: Tools required to prepare the option cables for wiring are not listed in this manual.

4 Option Components

◆ SI-EP3/V PROFINET Option



<1> Refer to *Option LED Display on page 11* for details on the LEDs.

<2> Ground wires are packaged loose inside the option packaging and must be connected during installation.

Figure 1 Top Views of Option

◆ Dimensions

The installed option adds 27 mm (1.06 in.) to the total depth of the drive.

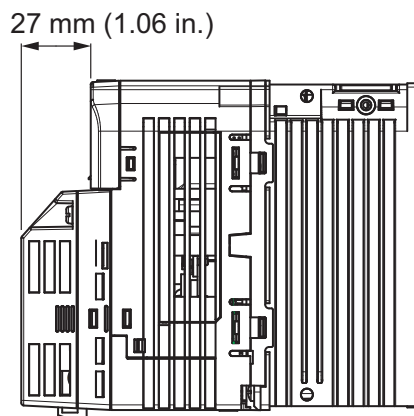


Figure 2 Dimensions

◆ Terminal CN1

The communication connector on the option is a modular dual RJ45 female connector designated CN1. CN1 is the connection point for a customer supplied male Ethernet network communication cable.

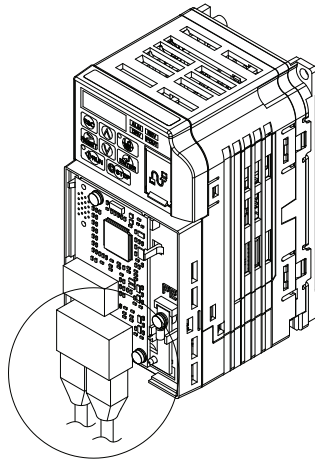


Figure 3 RJ45 Modular Jacks

Table 2 Male 8-way Ethernet Modular Connector (Customer-Supplied)

Male EtherNet 8-Way Modular Connector	Pin	Description
	1 (Pair 2)	Transmit data (TXD) +
	2 (Pair 2)	Transmit data (TXD) -
	3 (Pair 3)	Receive data (RXD) +
	4 (Pair 1)	Not used <I>
	5 (Pair 1)	Not used <I>
	6 (Pair 3)	Receive data (RXD) -
	7 (Pair 4)	Not used <I>
	8 (Pair 4)	Not used <I>

<I> Not used for 10 Mbps and 100 Mbps networks.

◆ Option LED Display

The option has six LEDs:

Bi-color Status LEDs:

- Module status (MS) red/green
- Network status (NS) red/green

Ethernet LEDs (2 each):

- Network speed-10/100 yellow
- Link status and network activity-Link/Act green

The operational states of the option LEDs after the power-up diagnostic LED sequence is completed are described in [Table 3](#). The states with a number in parenthesis are the number of pulses of 250 ms on, 250 ms off cycles, followed by 500 ms off, then repeating the cycle. Wait at least 2 seconds for the power-up diagnostic process to complete before verifying LED states.

Table 3 Option LED States

Name	Indication		Operating Status	Remarks
	Color	Status		
MS (visible through drive cover)	–	OFF	Power supply OFF	Power is not being supplied to the drive.
	Green	ON	Option operating	The option is operating normally and initialization is complete.
	Green	Flashing (1)	Diagnostics	Diagnostic data available.
	Green	Flashing (2)	Configuration tool	Identified by a configuration tool.
	Red	ON	Default MAC or fatal error occurred.	Default MAC address has been programmed or the option has detected an unrecoverable error.
	Red	Flashing (1)	Configuration error (non-fatal)	Configuration error.
	Red	Flashing (2)	No IP (non-fatal)	No IP address assigned.
	Red	Flashing (3)	No station name (non-fatal)	No station name assigned.
	Red	Flashing (4)	Init failure (non-fatal)	Failed to initialize module.
	Green/Red	Flashing	Option self-test	The option is in self-test mode.
NS (visible through drive cover)	–	OFF	Offline or Power supply OFF	–
	Green	ON	Connected	Connection established with I/O controller and in RUN mode.
	Green	Flashing	Connected and stopped	Connection established with I/O controller and in STOP mode.
	Red	ON	BUS fault	Unrecoverable BUS fault.
	Red	Flashing (1)	Lost communication	Host communication is temporarily lost.
	Red	Flashing (2)	Lost link	No link detected to network.
10/100 (visible at RJ45 jack)	Yellow	OFF	10 Mbps is established	–
	Yellow	ON	100 Mbps is established	–
LINK/ACT (visible at RJ45 jack)	Green	OFF	Link is not established	–
	Green	ON	Link is established	–
	Green	Flashing	Link is established and there is network activity	–

■ Power-Up Diagnostics

An LED test is performed each time the drive is powered up. The initial boot sequence may take several seconds. After the LEDs have completed the diagnostic LED sequence, the option is successfully initialized. The LEDs then assume operational conditions as shown in [Table 3](#).

Table 4 Power-Up Diagnostic LED Sequence

Sequence	Module Status (MS)	Network Status (NS)	Time (ms)
1	Green	OFF	250
2	Red	OFF	250
3	Green	OFF	-
4	Green	Green	250
5	Green	Red	250
6	Green	OFF	-

5 Installation Procedure

◆ Section Safety

DANGER

Electrical Shock Hazard

Do not connect or disconnect wiring while the power is on.

Failure to comply will result in death or serious injury.

Disconnect all power to the drive, wait at least five minutes after all indicators are off, measure the DC bus voltage to confirm safe level, and check for unsafe voltages before servicing. The internal capacitor remains charged after the power supply is turned off. The charge indicator LED will extinguish when the DC bus voltage is below 50 Vdc.

WARNING

Electrical Shock Hazard

Do not remove the option cover while the power is on.

Failure to comply could result in death or serious injury.

The diagrams in this section may include options and drives without covers or safety shields to show details. Be sure to reinstall covers or shields before operating any devices. Use the option according to the instructions described in this manual.

Do not allow unqualified personnel to use equipment.

Failure to comply could result in death or serious injury.

Maintenance, inspection, and replacement of parts must be performed only by authorized personnel familiar with installation, adjustment, and maintenance of this product.

Do not touch circuit boards while the power to the drive is on.

Failure to comply could result in death or serious injury.

Do not use damaged wires, stress the wiring, or damage the wire insulation.

Failure to comply could result in death or serious injury.

Fire Hazard

Tighten all terminal screws to the specified tightening torque.

Loose electrical connections could result in death or serious injury by fire due to overheating of electrical connections.

NOTICE

Damage to Equipment

Observe proper electrostatic discharge (ESD) procedures when handling the option, drive, and circuit boards.

Failure to comply may result in ESD damage to circuitry.

Never shut the power off while the drive is running or outputting voltage.

Failure to comply may cause the application to operate incorrectly or damage the drive.

Do not operate damaged equipment.

Failure to comply may cause further damage to the equipment.

Do not connect or operate any equipment with visible damage or missing parts.

NOTICE

Do not use unshielded cable for control wiring.

Failure to comply may cause electrical interference resulting in poor system performance.
Use shielded twisted-pair wires and ground the shield to the ground terminal of the drive.

Properly connect all pins and connectors.

Failure to comply may prevent proper operation and possibly damage equipment.

Check wiring to ensure that all connections are correct after installing the option and connecting any other devices.

Failure to comply may result in damage to the option.

◆ Prior to Installing the Option

Prior to installing the option, wire the drive, make necessary connections to the drive terminals, and verify that the drive functions normally without the option installed. Refer to the Quick Start Guide packaged with the drive for information on wiring and connecting the drive.

◆ Installing the Option

Refer to the instructions below to install the option.

1. Shut off power to the drive, wait at least five minutes after confirming the DC bus voltage is safe, then loosen the screw that fastens the front cover in place and remove the front cover. This drive front cover will be replaced by the option cover. Cover removal varies depending on drive size.

DANGER! Electrical Shock Hazard. Do not connect or disconnect wiring while the power is on. Failure to comply will result in death or serious injury. Before installing the option, disconnect all power to the drive. The internal capacitor remains charged even after the power supply is turned off. The charge indicator LED will extinguish when the DC bus voltage is below 50 Vdc. To prevent electric shock, wait at least five minutes after all indicators are off and measure the DC bus voltage level to confirm safe level.

NOTICE: Damage to Equipment. Observe proper electrostatic discharge procedures (ESD) when handling the option, drive, and circuit boards. Failure to comply may result in ESD damage to circuitry.

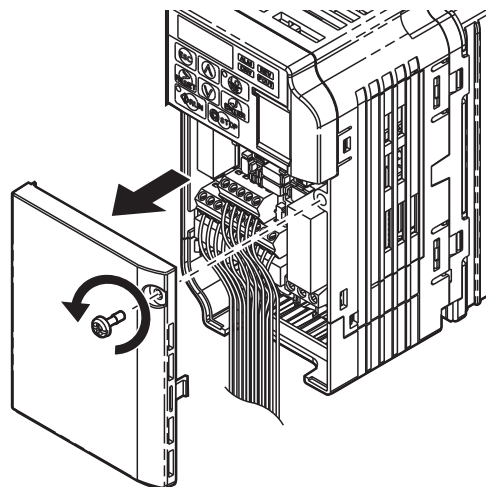


Figure 4 Remove the Front Cover

2. The remaining installation steps differ based on drive model. Find the drive model number on the drive nameplate and refer to the step indicated in [Table 5](#) based on your model number.

5 Installation Procedure

Table 5 Installation Steps Based on Drive Model

Enclosure Type	Drive Model	Proceed to Step	Page
IP20/Open-Chassis	CIMR-V□□A□□□□B	3.	15
IP20/NEMA Type 1 <1>	CIMR-V□□A□□□□F	4.	15

<1> Installing the option on an IP20/NEMA Type 1 enclosure drive voids NEMA Type 1 protection while maintaining IP20 conformity.

- For IP20/Open-Chassis models CIMR-V□□A□□□□B, Remove the bottom cover of the drive by applying pressure to the tabs on each side of the bottom cover. Pull the bottom cover away from the drive while pushing in on the tabs to release the cover from the drive. Refer to **Figure 5** for details. Refer to **Figure 6** for drive models CIMR-V□□BA0006B to BA0018B, 2A0010B to 2A0069B, and 4A0001B to 4A0038B, which require removing the terminal cover prior to removing the bottom cover.

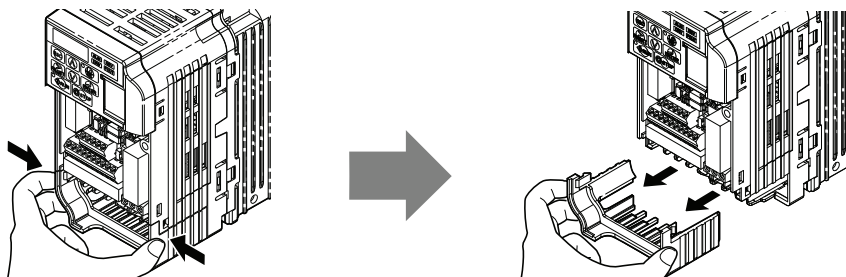


Figure 5 Remove the Bottom Cover on an IP20/Open-Chassis Drive (Models CIMR-V□□BA0001B to BA0003B and 2A0001B to 2A0006B)

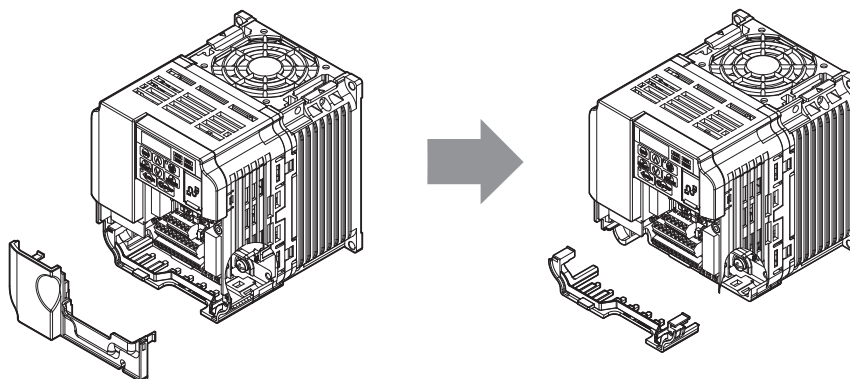


Figure 6 Remove the Terminal Cover and Bottom Cover on an IP20/Open-Chassis Drive (Models CIMR-V□□BA0006B to BA0018B; 2A0010B to 2A0069B; 4A0001B to 4A0038B)

- On IP20/Open-Chassis models, connect the drive side of the ground wire to the drive ground terminal.

Note: The four different ground wires packaged with the option connect the option to different drive models. Select the proper ground wire depending on drive size.

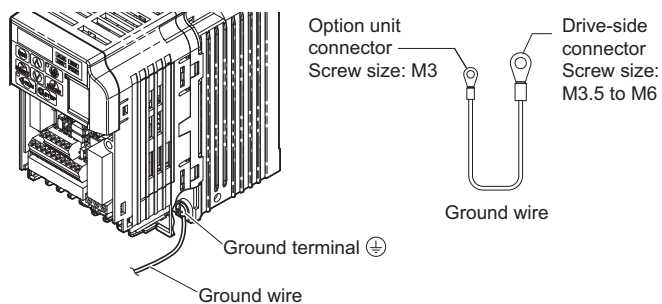


Figure 7 Connect the Ground Wire on an IP20/Open-Chassis Drive

- For IP20/Open-Chassis models, go to Step 9. on page 17.

- For IP20/NEMA Type 1 enclosure models CIMR-V□□A□□□□F, loosen the screw on the front of the NEMA Type 1 terminal cover and remove it from the drive. Refer to [Figure 8](#) for details. Refer to [Figure 9](#) for drive models CIMR-V□BA0006F to BA0018F, 2A0010F to 2A0069F, and 4A0001F to 4A0038F, which require removing the plastic terminal cover prior to removing the NEMA Type 1 terminal cover.

Note: Installing the option on an IP20/NEMA Type 1 enclosure drive voids NEMA Type 1 protection while maintaining IP20 conformity.

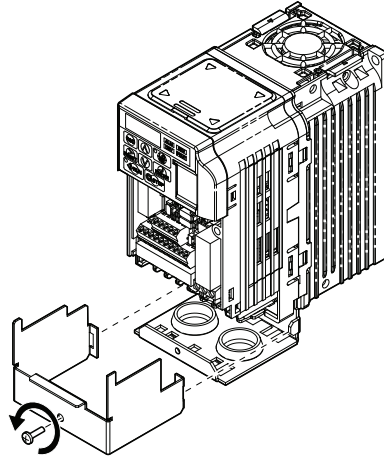
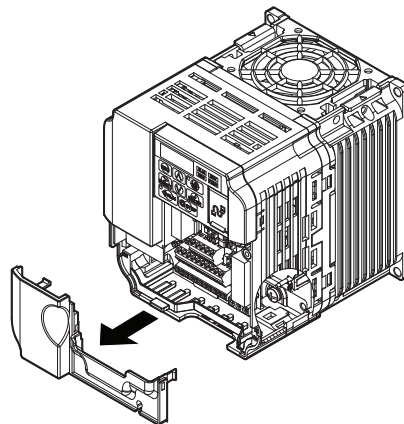


Figure 8 Remove the NEMA Type 1 Terminal Cover



**Figure 9 Remove the Terminal Cover on an IP20/NEMA Type 1 Drive
(Models CIMR-V□BA0006F to BA0018F; 2A0010F to 2A0069F; 4A0001F to 4A0038F)**

- Loosen the screws attaching the NEMA Type 1 conduit bracket to the drive to remove the NEMA Type 1 conduit bracket.

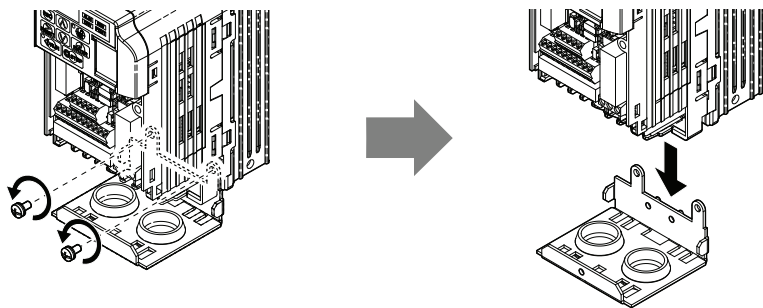


Figure 10 Remove the NEMA Type 1 Conduit Bracket

5 Installation Procedure

- On NEMA Type 1 enclosure drives, the screw for the drive ground terminal also acts as one of the screws that attaches the NEMA Type 1 conduit bracket to the drive. Reattach the NEMA Type 1 conduit bracket according to [Figure 11](#) and connect the drive-side of the ground wire to the drive ground terminal.

Note: The four different ground wires packaged with the option connect the option to different drive models. Select the proper ground wire depending on drive size.

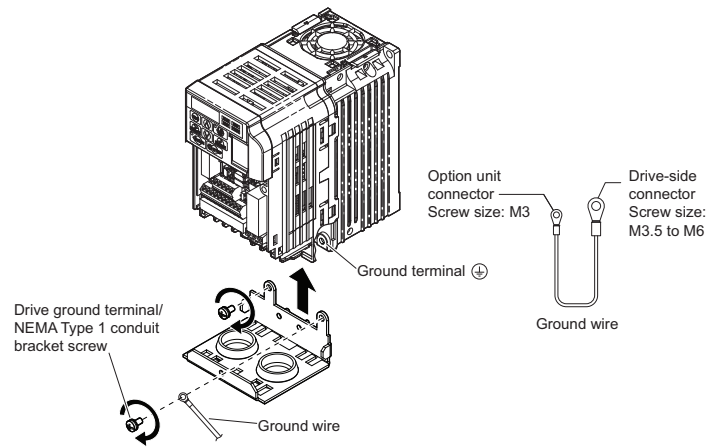


Figure 11 Reattach the NEMA Type 1 Conduit Bracket and Connect the Ground Wire

- Reattach the bottom cover. Keep the ground wire inside of the bottom cover when reattaching.

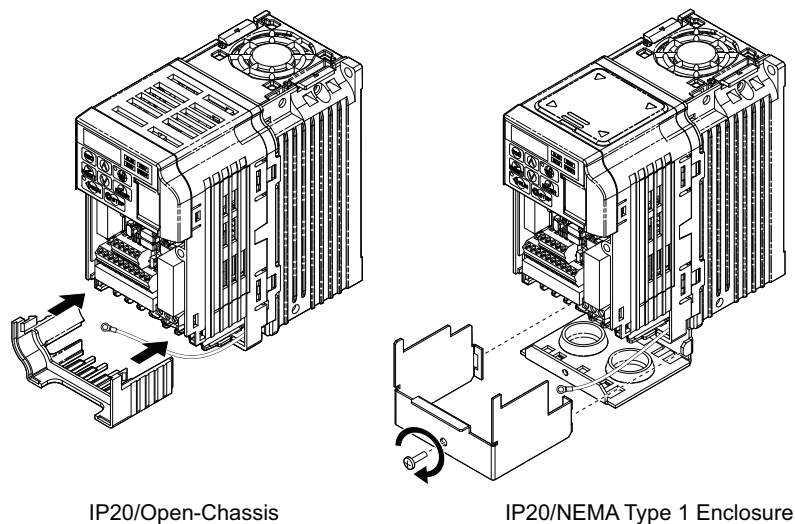


Figure 12 Reattach the Bottom Cover

- On models CIMR-V□BA0006□ to BA0018□, 2A0010□ to 2A0069□, and 4A0001□ to 4A0038□, reattach the terminal cover.
Refer to [Figure 14](#) for drive models CIMR-V□BA0006□ to BA0018□, 2A0010□ to 2A0020□, and 4A0001□ to 4A0011□, which require routing the ground wire through the provided notch when reinstalling the terminal cover.

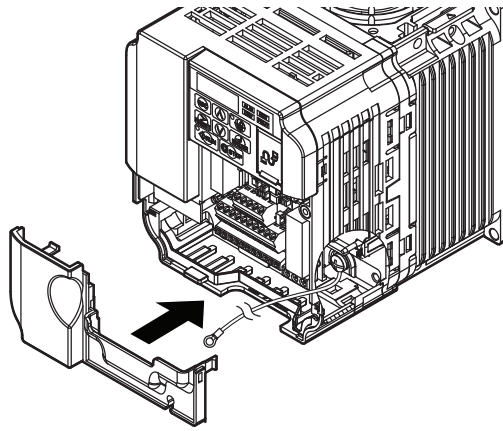
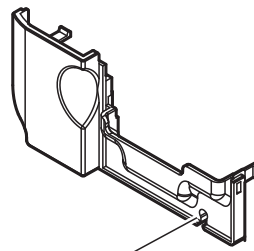


Figure 13 Reattach the Terminal Cover
 (Models CIMR-V□BA0006□ to BA0018□; 2A0010□ to 2A0069□; 4A0001□ to 4A0038□)



Ground wire
routing notch

Figure 14 Terminal Cover Ground Wire Notch
 (Models CIMR-V□BA0006□ to BA0018□; 2A0010□ to 2A0020□; 4A0001□ to 4A0011□)

11. Pass the ground wire through the inside of the drive bottom cover and into the through-hole for the ground wire at the front of the option.

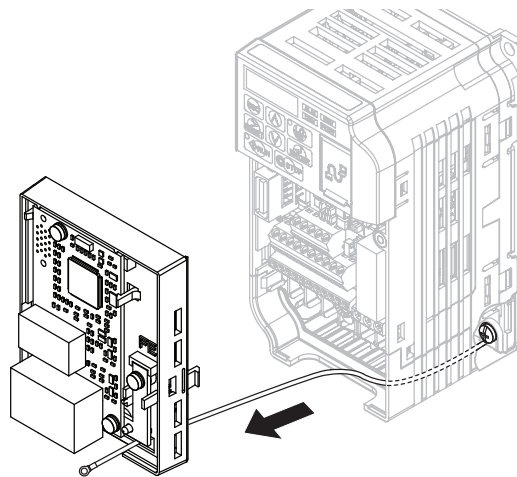


Figure 15 Ground Wire Routing

12. Attach the option to the drive. Properly seat the tabs on the left and right sides of the option to the drive case.

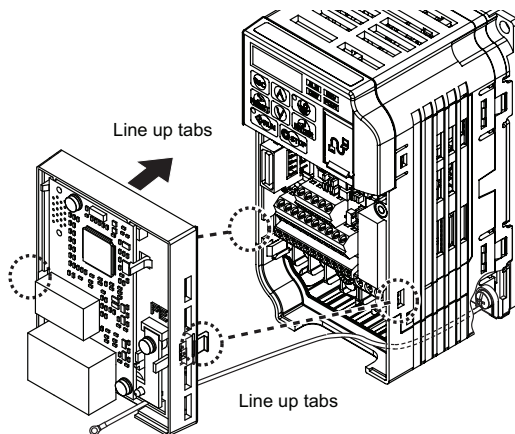


Figure 16 Connect the Option

13. Connect the ground wire at the option ground terminal. Tighten the screw to 0.5 ~ 0.6 Nm or (4.4 ~ 5.3 in lbs) using an M3 Phillips screwdriver.

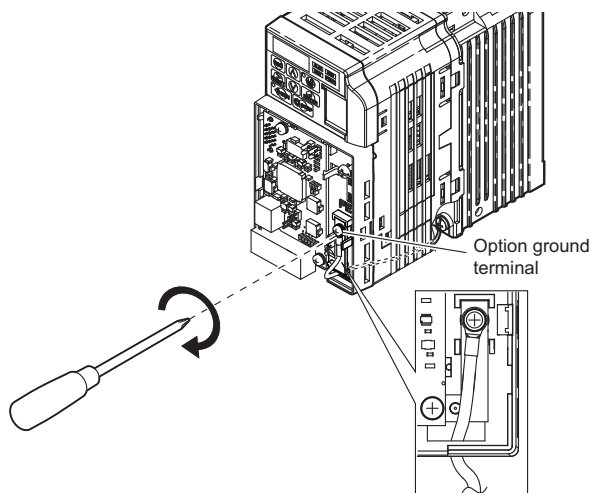


Figure 17 Connect the Ground Wire to the Option

14. To connect the option to a network, firmly connect RJ45 8-pin Shielded Twisted Pair Cat 5e cable(s) into the modular connector ports.

Note: Do not connect or disconnect the communication cable while the drive is powered up or while the drive is in operation. Failure to comply may cause a static discharge, which will cause the option card to stop working properly. Cycle power on the drive and option card to reestablish functionality.

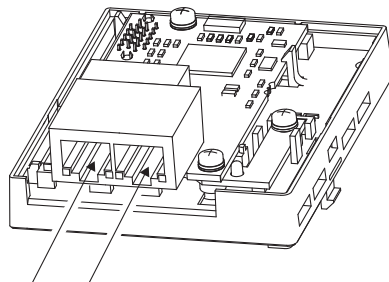


Figure 18 Communication Cable Ports

■ Communication Cable Wiring

The dual RJ45 network ports on the option board act as a switch to allow for flexibility in cabling topology. For example, a traditional star network topology may be employed by using a single port on the option board. Alternatively, a daisy-chained approach may be employed by using both RJ45 ports. This second approach reduces the requirements of central switch ports.

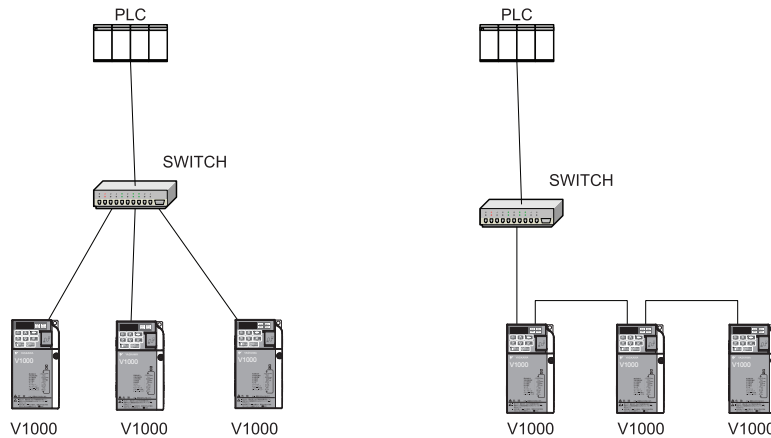


Figure 19 Topology Options

Communication Cable Specifications

Only use cables recommended for PROFINET. Using a cable not specifically recommended may cause the option or drive to malfunction.

The use of CAT5e or equivalent Shielded Twisted Pair (STP) cable is recommended.

- 15. Use the second communication cable port to daisy chain a series of drives where applicable.

■ Connection Diagram

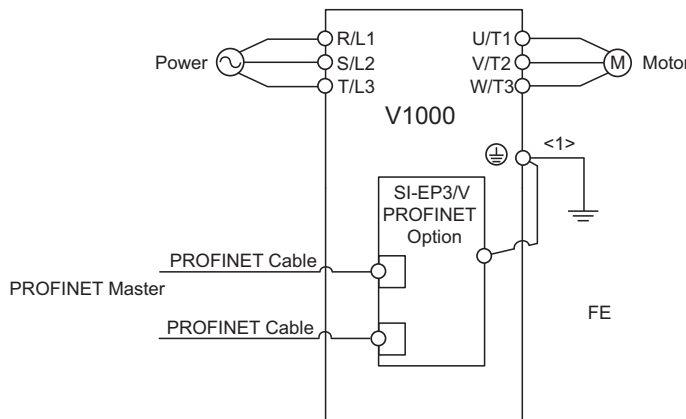


Figure 20 Wiring Diagram

<1> The ground wire provided in the option shipping package must be connected during installation.

5 Installation Procedure

16. Attach the option cover by aligning the tabs with the mounting holes, seat the front cover into place, and tighten the screw on the front.

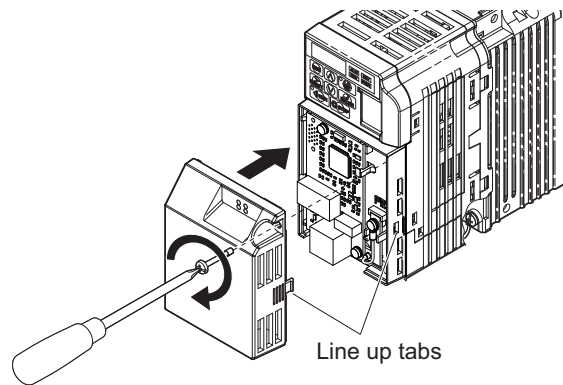


Figure 21 Attach the Option Cover

Note: Take proper precautions when wiring the option so that the front covers will easily fit back onto the drive. Make sure no cables are pinched between the front covers and the drive when replacing the covers.

17. Set drive parameters in [Table 6](#) for proper option performance.

◆ GSD Files

For easy network implementation of drives equipped with the SI-EP3/V option, a GSD file can be obtained from:

U.S.: <http://www.yaskawa.com>

Other areas: Contact a Yaskawa representative.

6 Option Drive Parameters

Before starting network communications, verify proper setting of drive parameters in [Table 6](#) using the drive digital operator.

Table 6 Parameter Settings

No.	Name	Description	Default
b1-01 </>	Frequency Reference Selection	Selects the frequency reference input source. 0: Operator - Digital preset speed d1-01 to d1-17 1: Terminals - Analog input terminal A1 or A2 2: MEMOBUS/Modbus communications 3: Option PCB 4: Pulse Input (Terminal RP)	1 (Set to 3 for PROFINET)
b1-02 </>	Run Command Selection	Selects the run command input source. 0: Digital Operator - RUN and STOP keys 1: Digital input terminals S1 to S7 2: MEMOBUS/Modbus communications 3: Option PCB	1 (Set to 3 for PROFINET)
F6-01	Operation Selection after Communications Error	Determines drive response when a bUS error is detected during communications with the option. 0: Ramp to Stop 1: Coast to Stop 2: Fast-Stop 3: Alarm Only <2>	1
F6-02	External Fault Detection Conditions (EF0)	Sets the condition for external fault detection (EF0). 0: Always detected 1: Detected only during operation	0
F6-03	Stopping Method for External Fault from Communication Option Board	Determines drive response for external fault input (EF0) detection during communication. 0: Ramp to Stop 1: Coast to Stop 2: Fast-Stop 3: Alarm Only <2>	1
F6-07 <3>	NetRef/ComRef Selection Function	0: Multi-step speed reference disabled 1: Multi-step speed reference allowed	1
F6-08 <3>	Reset Communication Related Parameters	Determines if communication-related parameters F6-□□ and F7-□□ are set back to original default values when the drive is initialized using parameter A1-03. 0: Do not reset F6-□□ and F7-□□ parameters 1: Reset F6-□□ and F7-□□ parameters Note: Setting this parameter does not affect communication-related parameters.	0
F7-01 to F7-04	IP Address	Sets static IP address of the SI-EP3/V option when parameter F7-13=0. Note: Parameter F7-01 sets the most significant octet.	192 168 1 20
F7-05 to F7-08	Subnet Mask	Sets static Subnet Mask of network connection. Note: Parameter F7-05 sets the most significant octet	255 255 255 0
F7-09 to F7-12	Gateway Address	Sets static Gateway address of network connection. Note: Parameter F7-09 sets the most significant octet.	192 168 1 1
F7-13	Address Mode at Startup	Selects how the option address is set. 0: Static 2: DCP	2
F7-14	Duplex Mode Selection	Selects duplex mode setting. 0: Half duplex forced 1: Auto-negotiate duplex mode and communication speed 2: Full duplex forced	1 <4>
F7-15	Communication Speed Selection	Sets the communication speed. 10: 10 Mbps 100: 100 Mbps	10

6 Option Drive Parameters

No.	Name	Description	Default
F7-23 to F7-27 <5>	Dynamic Output Assembly Parameters	Configurable outputs 1 to 5.	0
F7-33 to F7-37 <5>	Dynamic Input Assembly Parameters	Configurable inputs 1 to 5.	0
H5-11	Communications ENTER Function Selection	Select the function for the ENTER command that saves parameter data to the drive. 0: Parameter changes are activated when ENTER command is written 1: Parameter changes are activated immediately without use of ENTER command	1

- <1> To start and stop the drive with the option master device using serial communications, set b1-02 to 3. To control the drive frequency reference via the master device, set b1-01 to 3.
- <2> If F6-01 is set to 3, then the drive will continue to operate when a bUS error or an EF0 fault is detected. Take proper safety measures, such as installing an emergency stop switch.
- <3> Software versions 1012 and later have F6-07 and F6-08 both set to 1.
- <4> Software versions 1014 and earlier have F7-14 default of 0.
- <5> If a value other than 0 is assigned to parameters F7-23 to F7-27 and F7-33 to F7-37 by the drive, that value will take precedent over a value set by the configuration software. If the value in the drive is 0 (default), the value from the configuration software is used.

Table 7 Option Monitors

No.	Name	Description	Value Range
U6-80 to U6-83	Online IP Address	SI-EP3/V IP Address, U6-80 is the most significant octet.	0 to 255
U6-84 to U6-87	Online Subnet	Subnet, U6-94 is the most significant octet.	0 to 255
U6-88 to U6-91	Online Gateway	Gateway, U6-88 is the most significant octet.	0 to 255
U6-92	Online Speed	Port 1 Link Speed	10, 100
U6-93	Online Duplex	Port 1 Duplex Setting	0: Half, 1: Full
U6-94	Online Duplex	Port 2 Link Speed	0: Half, 1: Full
U6-95	Online Duplex	Port 2 Duplex Setting	0: Half, 1: Full
U6-98	First Fault	First Option Board Fault	-
U6-99	Current Fault	Current Option Board Fault	-

7 PROFINET Messaging

◆ PROFINET Overview

This section describes the communication profile used between the PROFINET I/O network and the option.

The option supports the PROFIDrive profile. Users can select between the control and status words according to the PROFIDrive profile or use the Yaskawa-specific control and status words.

◆ PROFIDrive Communication Profile

■ The Control Word and the Status Word

The contents of the Control Word and the Status Word are detailed in [Table 8](#). and [Table 9](#). respectively. The drive states are presented in the PROFIDrive State Machine ([Figure 22](#)).

■ Frequency Reference

The Frequency reference is a 16-bit word containing a sign bit and a 15-bit integer. A negative reference (indicating reverse direction of rotation) is formed by calculating the two's complement from the corresponding positive reference. The reference value is the desired output frequency.

■ Output Frequency

Output Frequency is a 16-bit word containing the current output frequency (U1-02) of the drive.

Table 8 Control Word for PROFIDrive Communication Profile

Bit	Name	Value	Proceed to STATE/Description
0	ON	1	Proceed to READY TO OPERATE.
	OFF1	0	Emergency OFF. Proceed to OFF1 ACTIVE; proceed further to READY TO SWITCH ON unless other interlocks (OFF2, OFF3) are active.
1	OFF2	1	Continue operation (OFF2 inactive).
		0	Emergency OFF. Proceed to OFF2 ACTIVE; proceed further to SWITCH ON INHIBIT.
2	OFF3	1	Continue operation (OFF3 inactive).
		0	Emergency stop. Proceed to OFF3 ACTIVE; proceed further to SWITCH-ON INHIBIT.
3	OPERATION_ ENABLE	1	Proceed to ENABLE OPERATION.
		0	Inhibit operation. Proceed to OPERATION INHIBIT.
4	RAMP_OUT_ZERO	1	Normal operation. Proceed to RAMP FUNCTION GENERATOR: ENABLE OUTPUT.
		0	Stop according to selected stop type.
5	RAMP_HOLD	1	Normal operation.
		0	Proceed to RAMP FUNCTION GENERATOR: ENABLE ACCELERATOR. Halt ramping (Ramp Function Generator output held).
6	RAMP_IN_ZERO	1	Normal operation. Proceed to OPERATING. Note: This bit is effective only if the fieldbus interface is set as the source for this signal by drive parameters.
		0	Force Ramp Function Generator input to zero.
7	RESET	0 -> 1	Fault reset if an active fault exists. Proceed to SWITCH ON INHIBIT.
		0	(Continue normal operation)
8	INCHING_1	-	Inching 1. (Not supported)
9	INCHING_2	-	Inching 2. (Not supported)
10	REMOTE_CMD	1	Network control enabled.
		0	Network control disabled.
11 to 15	-	-	Reserved

7 PROFINET Messaging

Table 9 Status Word for the PROFIdrive Communication Profile

Bit	Name	Value	STATE/Description
0	RDY_ON	1	READY TO SWITCH ON.
		0	NOT READY TO SWITCH ON.
1	RDY_RUN	1	READY TO OPERATE.
		0	OFF1 ACTIVE.
2	RDY_REF	1	ENABLE OPERATION.
		0	DISABLE OPERATION.
3	TRIPPED	1	FAULT.
		0	No fault.
4	OFF_2_STA	1	OFF2 inactive.
		0	OFF2 ACTIVE.
5	OFF_3_STA	1	OFF3 inactive.
		0	OFF3 ACTIVE.
6	SWC_ON_INHIB	1	SWITCH-ON INHIBIT ACTIVE.
		0	SWITCH-ON INHIBIT NOT ACTIVE.
7	ALARM	1	Warning/Alarm.
		0	No Warning/Alarm.
8	AT_SETPOINT	1	OPERATING. Actual value equals reference value (i.e., is within tolerance limits).
		0	Actual value differs from reference value (i.e., is outside tolerance limits).
9	REMOTE	1	Drive control location: REMOTE.
		0	Drive control location: LOCAL.
10	ABOVE_LIMIT	-	Not supported.
11 to 15	-	-	Reserved

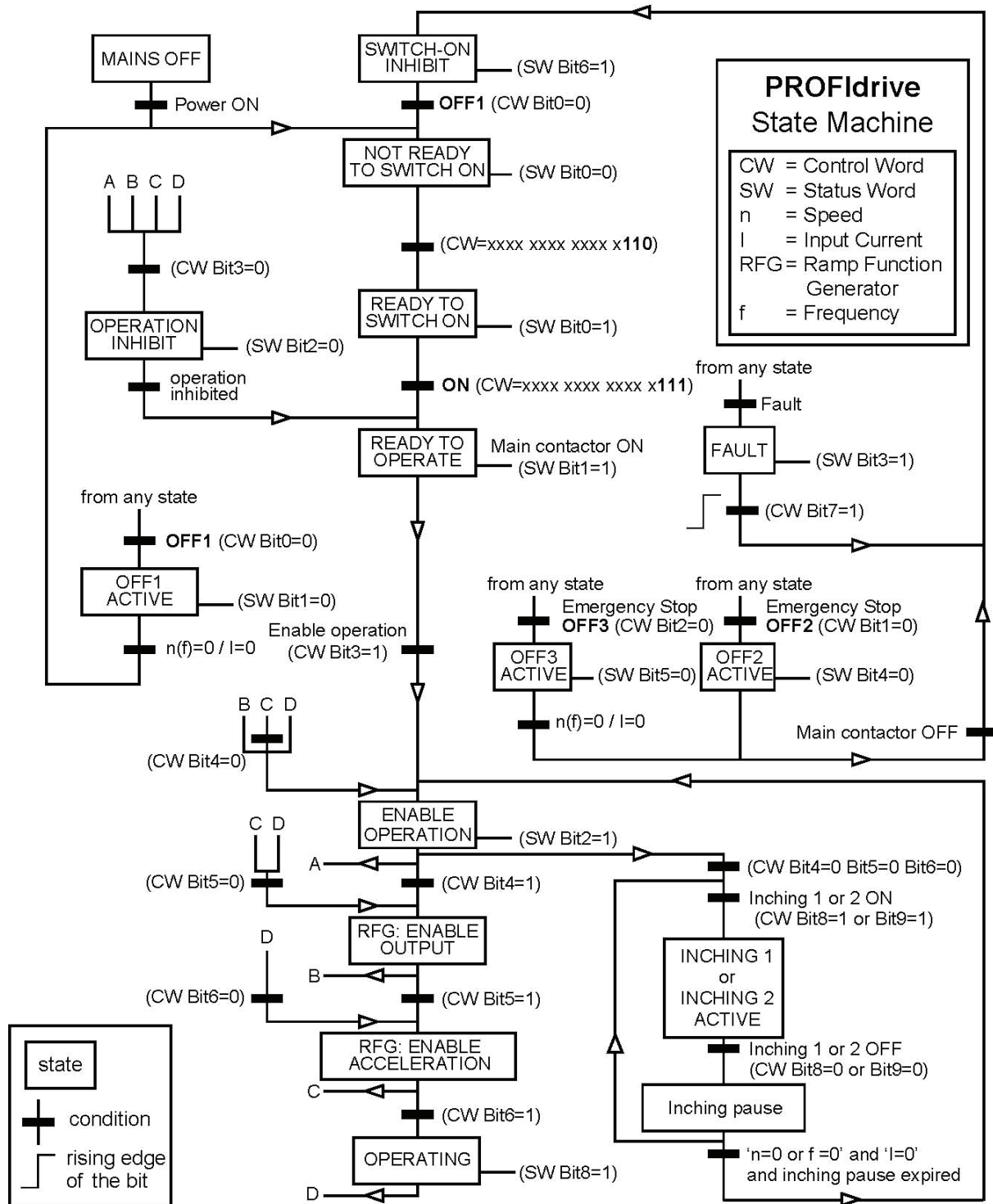


Figure 22 PROFdrive State Machine

◆ Yaskawa Vendor-Specific Control and Status Words

■ The Control Word and the Status Word

The contents of the Control Word and the Status Word are detailed in [Table 10](#).

■ Frequency Reference

Frequency Reference is a 16-bit word containing the desired output frequency.

■ Output Frequency

Output Frequency is a 16-bit word containing the current output frequency of the drive.

Table 10 Yaskawa-Specific Control Word and Status Word

Yaskawa-Specific Control Word		Yaskawa-Specific Status Word	
Bit	Description	Bit	Description
0	Run bit	0	Running
1	Reverse run bit	1	Zero Speed
2	EF0	2	Reverse Operation
3	Fault Reset	3	Reset Signal Input Active
4	ComFref	4	At Speed
5	ComCtrl	5	Ready
6	DI3	6	Alarm
7	DI4	7	Fault
8	DI5	8	oPE Fault
9	DI6	9	Uv Return
10	DI7	10	2nd Motor
11	DI8 <1>	11	ZSV
12	DI9 <1> <2>	12	(Unused)
13	DI10 <1> <2>	13	(Unused)
14	DI11 <1> <2>	14	Net Reference
15	DI12 <1> <2>	15	Net Control

<1> Not available in V1000-series drives.

<2> Not available in A1000-series drives.

8 Communication

This section describes the PROFINET IO messaging used in communication with the drive.

For detailed information on PROFINET IO communication, refer to PROFINET specification Application Layer protocol for decentralized periphery and distributed automation v2.0 available at www.profibus.com.

◆ Introduction to PROFINET IO

PROFINET IO is a fieldbus protocol that enables communication between programmable controllers and distributed field devices in Ethernet network. The protocol classifies devices into IO controllers, IO supervisors and IO devices, which have a specific collection of services.

PROFINET IO uses three different communication channels to exchange data. The standard UDP/IP and TCP/IP channel is used for parameterization and configuration of devices and for acyclic operations. The Real Time (RT) channel is used for cyclic data transfer and alarms. The third channel, Isochronous Real Time (IRT) channel, is used e.g. in motion control applications (not implemented in SI-EP3/V).

PROFINET IO devices are structured in slots and sub-slots, which can contain modules and sub-modules correspondingly. Devices can have almost any number of slots and sub-slots and they can be virtual or real. Device specific data is represented in slot 0, module and sub-module specific data in subsequent slots and sub-slots.

One of the benefits of PROFINET IO is the diagnostics and alarm mechanism. Every module and sub-module provide alarm data to the IO controller using the cyclic channel. Diagnostic data can be read non-cyclically from the device by using record data.

Properties and services of a PROFINET IO device are described in a GSD file that is written in General Station Description Markup Language (GSDML). GSD file describes the device specific modules and the method of assigning modules and sub-modules to predefined slots and sub-slots.

◆ PROFINET IO in SI-EP3/V

The decision to use either the PROFIdrive control and status words or the Yaskawa-specific control and status words is done in a hardware configuration tool (customer supplied). The default value is the Yaskawa-specific format.

SI-EP3/V uses slots 0 and 1. Slot 0 does not have any sub-slots and the attached DAP module represents the device. Other functional modules and sub-modules described in the GSD file can be assigned to slot 1 and its sub-slots.

- Slot 0 = Device access point (DAP)
- Slot 1, sub-slot 1 = Standard telegram 1, Standard telegram 1 + 5 configurable inputs, outputs, Forty byte IO with 5 configurable input, outputs

The services provided by the SI-EP3/V adapter can be defined using the F7-□□ parameters in the drive or by using a configuration tool. To define the service using the F7-□□ parameters, set the parameter to a value other than 0. If all F7-□□ parameters are set to 0, the value from the configuration tool will be used.

The SI-EP3/V adapter provides the following services:

- Cyclic messaging in PROFIdrive or Yaskawa-specific mode
- Acyclic parameter access mechanism
- Identification & Maintenance functions (I&M0)
- PROFIdrive parameters
- Diagnostic and alarm mechanism
- Fault buffer mechanism

■ Yaskawa SI-EP3/V PROFINET I/O Modules

Std Tgm 1

Table 11 Std Tgm 1 Consume

Bytes	Description
0	Control Word MSB
1	Control Word LSB
2	Frequency Reference MSB
3	Frequency Reference LSB

Table 12 Std Tgm 1 Produce

Bytes	Description
0	Status Word MSB
1	Status Word LSB
2	Output Frequency MSB
3	Output Frequency LSB

Std Tgm 1 + 5 PZD

Table 13 Std Tgm 1 + 5 PZD Consume

Bytes	Description
0	Control Word MSB
1	Control Word LSB
2	Frequency Reference MSB
3	Frequency Reference LSB
4	Configurable Output 1 MSB
5	Configurable Output 1 LSB
6	Configurable Output 2 MSB
7	Configurable Output 2 LSB
8	Configurable Output 3 MSB
9	Configurable Output 3 LSB
10	Configurable Output 4 MSB
11	Configurable Output 4 LSB
12	Configurable Output 5 MSB
13	Configurable Output 5 LSB

Table 14 Std Tgm 1 + 5 PZD Produce

Bytes	Description
0	Status Word MSB
1	Status Word LSB
2	Output Frequency MSB
3	Output Frequency LSB
4	Configurable Input 1 MSB
5	Configurable Input 1 LSB
6	Configurable Input 2 MSB
7	Configurable Input 2 LSB
8	Configurable Input 3 MSB
9	Configurable Input 3 LSB
10	Configurable Input 4 MSB
11	Configurable Input 4 LSB
12	Configurable Input 5 MSB
13	Configurable Input 5 LSB

Forty Byte IO

Table 15 Forty Byte IO Consume

Bytes	Description
0	Control Word MSB
1	Control Word LSB
2	Frequency Reference MSB
3	Frequency Reference LSB
4	Torque Reference MSB <I>
5	Torque Reference LSB <I>
6	Torque Compensation MSB <I>
7	Torque Compensation LSB <I>
8	Reserved
9	Reserved
10	Reserved
11	Reserved
12	Analog Output 1 MSB
13	Analog Output 1 LSB
14	Analog Output 2 MSB
15	Analog Output 2 LSB
16	Digital Outputs MSB
17	Digital Outputs LSB
18	Reserved
19	Reserved
20	Reserved
21	Reserved
22	Reserved
23	Reserved
24	Reserved
25	Reserved
26	Reserved
27	Reserved
28	Reserved
29	Reserved
30	Configurable Output 1 MSB
31	Configurable Output 1 LSB
32	Configurable Output 2 MSB
33	Configurable Output 2 LSB
34	Configurable Output 3 MSB
35	Configurable Output 3 LSB
36	Configurable Output 4 MSB
37	Configurable Output 4 LSB
38	Configurable Output 5 MSB
39	Configurable Output 5 LSB

<I> Not available in V1000-series drives.

Table 16 Forty Byte IO Produce

Bytes	Description
0	Status Word MSB
1	Status Word LSB
2	Output Frequency MSB
3	Output Frequency LSB
4	Torque Reference MSB <I>

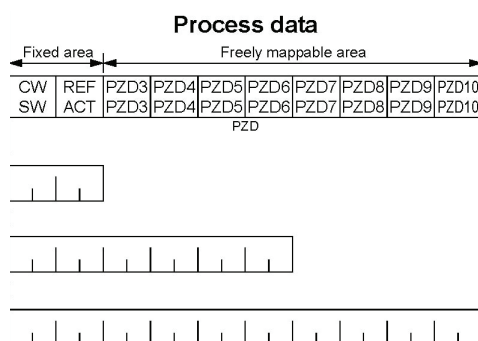
8 Communication

Bytes	Description
5	Torque Reference LSB <1>
6	PG Count Value MSB
7	PG Count Value LSB
8	Motor Speed MSB
9	Motor Speed LSB
10	Frequency Reference Monitor MSB
11	Frequency Reference Monitor LSB
12	Output Current MSB
13	Output Current LSB
14	Analog Input 1 MSB
15	Analog Input 1 LSB
16	DC Bus Voltage MSB
17	DC Bus Voltage LSB
18	Fault Code MSB
19	Fault Code LSB
20	Alarm Code MSB
21	Alarm Code LSB
22	Output Power MSB
23	Output Power LSB
24	Analog Input 2 MSB
25	Analog Input 2 LSB
26	Digital Inputs MSB
27	Digital Inputs LSB
28	Analog Input 3 MSB
29	Analog Input 3 LSB
30	Configurable Input 1 MSB
31	Configurable Input 1 LSB
32	Configurable Input 2 MSB
33	Configurable Input 2 LSB
34	Configurable Input 3 MSB
35	Configurable Input 3 LSB
36	Configurable Input 4 MSB
37	Configurable Input 4 LSB
38	Configurable Input 5 MSB
39	Configurable Input 5 LSB

<1> Not available in V1000-series drives.

■ Cyclic Messaging

SI-EP3/V supports cycle times of 8 to 512 ms.



CW: Control Word

SW: Status Word

REF: Reference

ACT: Actual Value

PZD: Configurable inputs and outputs

■ Yaskawa Acyclic Parameter Access Mechanism

All drive parameters can be read and written under address 0x8000 by performing a read or write with the index value of the corresponding parameter address in the drive. Refer to the drive Technical Manual for a list of these parameter addresses.

■ PROFIdrive Acyclic Parameter Access Mechanism

A PROFIdrive acyclic parameter access mechanism can be used to access PROFIdrive parameters and drive parameters using an index of 0xB02E and the structure in [Figure 23](#) for write and read requests.

Requests and responses between the IO device and the IO controller or the IO supervisor are transferred with the Record Data Objects.

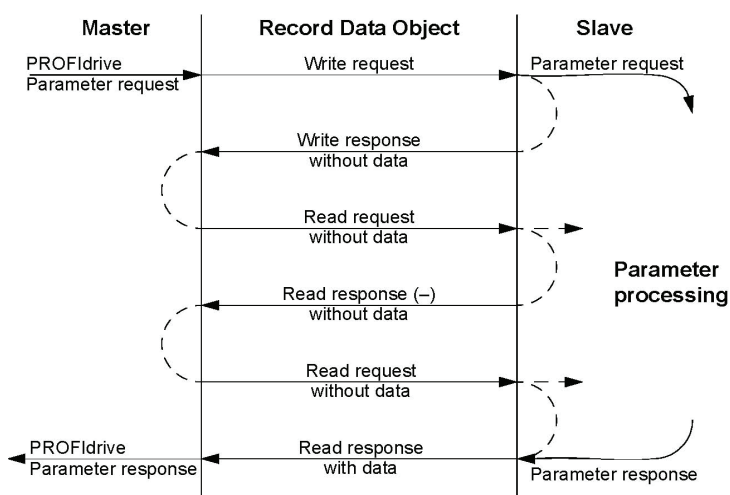


Figure 23 PROFIdrive Acyclic Parameter Access Mechanism Structure

8 Communication

A write request is first sent containing the parameter request.

If the write request is valid, the SI-EP3/V acknowledges it with request accepted. The master then sends a read request. If the SI-EP3/V is still busy performing the internal parameter request, it will return a negative response with the error code “0xB5” (State conflict). In this case, the master repeats the read request until the SI-EP3/V has the PROFIdrive response data ready.

If the write request is invalid, a negative response is returned with an error code.

Base Mode Parameter Access - Local

The DO-ID field in the Record Data Object request header is not evaluated by the parameter manager. Parameters can be read through any slot in the configuration.

Table 17 Response Error Codes

Byte	Value and Meaning
ErrorCode	0xDF (Error Write)
	0xDE (Error Read)
ErrorDecode	0x80 (PNIORW) ErrorCode1 decoded according to Table 18 . ErrorCode2 is 0.
	0x81 (PNIO) ErrorCode1 and ErrorCode2 decoded according to Table 18 .
ErrorCode1	Error class and error code (Refer to Table 18).
ErrorCode2	Not described

Table 18 ErrorCode1 with PNIO RW Decoding

Error class	Meaning	Error Code
0...9	(Reserved)	-
10 (0x0A)	Application	0 = Read error
		1 = Write error
		2 = Module failure
		3...7 = Reserved
		8 = Version conflict
		9 = Feature not supported
		10...15 = User-specific
11 (0x0B)	Access	0 = Invalid index
		1 = Write length error
		2 = Invalid slot
		3 = Type conflict
		4 = Invalid area
		5 = State conflict
		6 = Access denied
		7 = Invalid range
		8 = Invalid parameter
		9 = Invalid type
10...15 = User-specific		
12 (0x0C)	Resource	0 = Read constraint conflict
		1 = Write constraint conflict
		2 = Resource busy
		3 = Resource unavailable
		4...7 = Reserved
		8...15 = User-specific
13...15	User-specific	-

Read block is used in read requests and responses. Write block is used in write requests and responses. The request consists of unique identifiers for the connection, addressing information and length of the record data. The response also contains two additional fields for transferring information.

Table 19 Structure of the Read and Write Blocks

Field(s)	Description	Range	Type
Service	Request or Response service.	Request (0x00) Response (0x80)	UI8
Operation	Read or Write operation.	Write (0x08) Read (0x09)	UI8
Block length	Length of the block.	0 ... 0xFFFF	UI16
ARUUID	Identifier - time low - time mid - time high and version - clock - node	-	UI32 UI16 UI16 Octet[2] Octet[6]
API	Application Process Identifier	Device Access Point (0x0000)	UI32
		PROFIdrive (0x3A00)	
Slot	Slot of the Module Access Point (MAP/PAP)	0x01	UI16
Sub-slot	Sub-slot of the Module Access Point (MAP/PAP)	0x01	UI16
Padding	2 bytes		
Index	Index of the Record Data Object	0x0001 - 0x7FFF 0xB02E	UI16
Data length	Length of the data block	0...0xFFFFFFFF	UI32
Additional value 1 (response only)	Field for transferring additional data	-	UI16
Additional value 2 (response only)	Field for transferring additional data	-	UI16
Padding	24 bytes for request, 20 bytes for response.		
Data block	Used only with write request and read response.		

Data block contains PROFIdrive specific request or response header.

Table 20 PROFIdrive Request Header

Field(s)	Description	Range	Byte/ Word
Request Reference	Unique identification set by the master. Changed for each new request.	1 ... 255	Byte
Request ID	Request type for the issued block.	Request Parameter (0x01) Change Parameter (0x02)	Byte
DO-ID	To be set to 0x01.	0 ... 255	Byte
No. of Parameters	Number of parameters that are present in the request.	1	Byte
Attribute	Type of object being accessed.	Value (0x10)	Byte
No. of Elements	Number of array elements accessed or length of string accessed. Set to 0 if non-array parameters are used.	0, 1 ... 234	Byte
Parameter Index (group)	Address of the PROFIdrive parameter that is being accessed. Also "1" is allowed by SI-EP3/V to access drive parameters. Drive parameter group when accessing drive parameters.	1 ... 65535	Word
Subindex (parameter)	Addresses the first array element of the parameter. Drive parameter number when accessing drive parameters.	0 ... 65535	Word
Format <1>	Refer to Table 22 for details.	-	Byte
Number of Values <1>	Number of values following.	1	Byte
Values <1>	The values of the request. In case of odd number of bytes, a zero byte is appended to ensure the word structure of the telegram.	Varies based on value	See Format Field

<1> Only when Request ID is 0x02 (Change Parameter). The Format, Number of Values, and Value Fields are repeated for other parameters.

Table 21 PROFIdrive Response Header

Field(s)	Description	Range
Response Reference	Mirrored from the request.	1 ... 255

8 Communication

Field(s)	Description	Range
Response ID	Response from the slave. In the event that requested services fail, a “not acknowledged” (NAK) response will be indicated.	Request Param OK (0x01) Request Param NAK (0x81) Change Param OK (0x02) Change Param NAK (0x82)
DO-ID	To be set to 1.	0 ... 255
No. of Parameters	Number of parameters that are present in the response.	1... 37
Format <I>	Refer to Table 22 for details.	-
Number of Values <I>	Number of values following.	0 ... 234
Values <I>	The values of the request. When there is an odd number of bytes, a zero byte is appended to ensure the word structure of the telegram.	Varies based on value

<I> Only when Request ID is 0x01 (Request Parameter OK). The Format, Number of Values, and Value Fields are repeated for other parameters.

Table 22 Data Types for Format Field

Code	Type
0x00	(Reserved)
0x01...0x36	Standard data types
0x37...0x3F	(Reserved)
0x40	Zero
0x41	Byte
0x42	Word
0x43	Double word
0x44	Error
0x45 ... 0xFF	(Reserved)

Table 23 PROFIdrive Parameter Request Error Codes

Error #	Meaning	Used at
0x00	Impermissible parameter number	Access to unavailable parameter
0x01	Parameter value cannot be changed	Change access to a parameter value that cannot be changed
0x02	Low or high limit exceeded	Change access with value outside the limits
0x03	Invalid subindex	Access to unavailable subindex
0x04	No array	Access with subindex to non-indexed parameter
0x05	Incorrect data type	Change access with value that does not match the data type of the parameter
0x06	Setting not permitted (can only be reset)	Change access with value unequal to 0 when this is not permitted
0x07	Description element cannot be changed	Change access to a description element that cannot be changed
0x09	No description data available	Access to unavailable description (parameter value is available)
0x0B	No operation priority	Change access rights without rights to change parameters
0x0F	No text array available	Access to text array that is not available (parameter value is available)
0x11	Request cannot be executed because of operating mode	Access is temporarily not possible for reasons that are not specified in detail
0x14	Value impermissible	Change access with a value that is within limits but is not permissible for other long-term reasons (parameter with defined single values)
0x15	Response too long	The length of the current response exceeds the maximum transmittable length
0x16	Parameter address impermissible	Illegal value or value that is not supported for the attribute, number of elements, parameter number or sub-index, or a combination
0x17	Illegal format	Write request: Illegal format or format of parameter data that is not supported
0x18	Number of values inconsistent	Write request: Number of values of parameter data does not match number of elements at the parameter address
0x19	DO nonexistent	Request to DO, which does not exist
0x65... 0xFF	Manufacturer-specific	-
0x65	Vendor-specific error	Vendor-specific error
0x66	Request not supported	Request not supported
0x67	Communication error	Request cannot be completed because of communication error

Error #	Meaning	Used at
0x6F	Time-out error	Request aborted due to time-out
0x78	PZD map failure	Parameter cannot be mapped to PZD (size mismatch or non-existent)
0x79	PZD memory failure	Parameter cannot be mapped to PZD (out of memory)
0x7A	Multiple PZD map	Parameter cannot be mapped to PZD (multiple PZD write)
0x8C	Set torque mode error	Cannot change mode to TORQUE (frequency is used)
0x90	Illegal Request ID	The request ID of the response is illegal

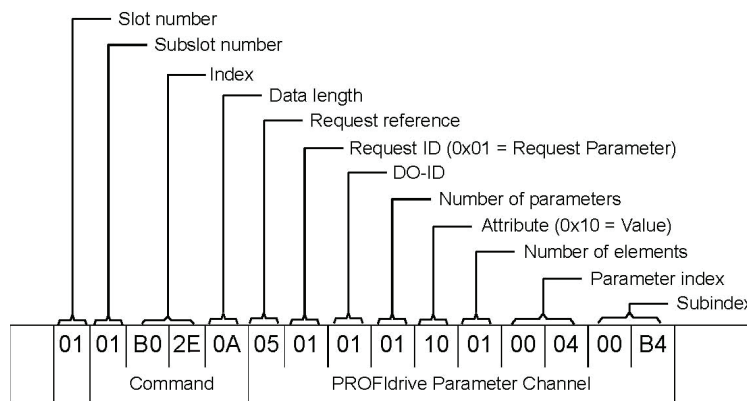
Parameter Data Transfer Examples

The following example shows how parameter data is transferred using the acyclic parameter access mechanism's READ and WRITE.

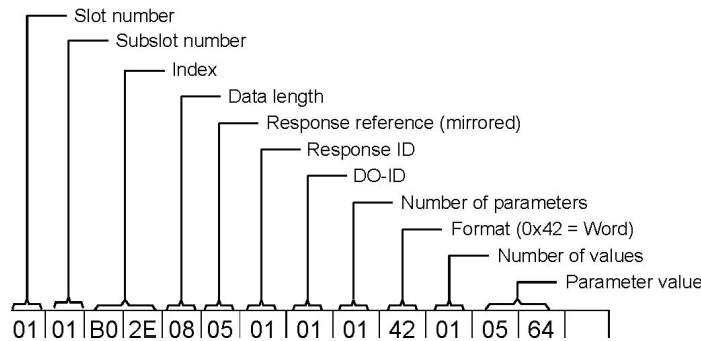
Example 1: Reading a drive parameter

To read a Yaskawa Drive parameter, use the PNU of 1 and the actual address of the parameter in the SubIndex.

Write Request (Read Parameter Value)

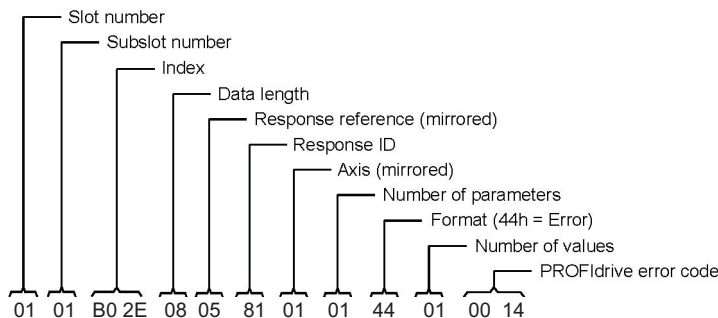


Positive Read Response to Read Request



PROFIdrive Parameter Channel

Negative Response to PROFIdrive Read Request



8 Communication

PROFIdrive Profile-Specific Parameters

PROFIdrive parameters contain data of the drive in standard form. The table below describes the supported PROFIdrive parameters.

Parameter	R/W	Data type	Description
922	R	Unsigned16	Telegram selection
944	R	Unsigned16	Fault message counter
947	R	Array [5] Unsigned16	Fault number. (coded according to DRIVECOM profile) Subindex Contents, see parameter 945.
964	R	Array [6] Unsigned16	Device identification Subindex Contents 0 Manufacturer 1 Device type 2 Version 3 Firmware date (year) 4 Firmware date (day/month) 5 Number of Drive Objects (DO)
965	R	Octet String2	Profile number of this device. 0328h = Profile 3, Version 40
967	R	Unsigned16	Control word (CW)
968	R	Unsigned16	Status word (SW)
972	R/W	Unsigned16	Software reset Value Description 0 No action 1 Power-cycle PROFINET IO module The parameter must do a zero-to-one transition and the motor must be stopped.
977	R/W	Unsigned16	Stores parameters to non-volatile memory Value Description 0 No action 1 Stores parameters The parameter must do a zero-to-one transition and the motor must be stopped.
61000	R	VisibleString24	Name of station
61001	R	Unsigned32	IP of station
61002	R	Array [6] Unsigned8	MAC of station
61003	R	Unsigned32	Default gateway of station
61004	R	Unsigned32	Subnet mask of station

Fault Buffer Mechanism

PROFIdrive profile has a mechanism that can store five fault situations to PROFIdrive parameters. Fault and diagnostic data, like fault number and fault code can be accessed simultaneously with only one subindex. The mechanism consists of two PROFIdrive parameters:

- PNU944: Fault message counter
- PNU947: Fault numbers according to value in U2-01

◆ Option High Priority Alarm Codes

These codes are transmitted as Manufacturer Specific Diagnostic high priority alarms that can be seen in the PLC configuration software. These high priority codes are the same codes that appear in the drive manual, except with an offset of 0x1000.

Table 24 PROFINET Option High Priority Alarm Codes

Drive Alarm Code (hex) <1>	Description	Corrective Action
1000	None	-
1001	DC Bus Fuse Open (PUF)	Output Transistor Failure. Replace the drive
1002	DC Bus Undervolt (Uv1)	Input power fluctuation too large
1003	CTL PS Undervolt (Uv2)	Cycle drive power and replace drive if fault continues
1004	MC Answerback (Uv3)	Cycle drive power and replace drive if fault continues
1005	Short Circuit (SC)	<ul style="list-style-type: none"> • Check drive wiring • Cycle drive power and replace drive if fault continues.
1006	Ground Fault (GF)	Check for motor and/or cable damage
1007	Over Current (oC)	Check motor, motor load and accel/decel rates
1008	DC Bus Overvolt (oV)	<ul style="list-style-type: none"> • Check incoming voltage • Check deceleration time

Drive Alarm Code (hex) <1>	Description	Corrective Action
1009	Heatsink Overtemp (oH)	<ul style="list-style-type: none"> • Check ambient temperature • Check drive cooling fan
100A	Heatsink Max Temp (oH1)	Check drive cooling fan
100B	Motor Overload (oL1)	<ul style="list-style-type: none"> • Check the load, accel/decel and cycle times • Check motor rated current (E2-01)
100C	Inv Overload (oL2)	<ul style="list-style-type: none"> • Check the load, accel/decel and cycle times • Check drive rating
100D	Overtorque Det 1 (oL3)	<ul style="list-style-type: none"> • Check L6-02 and L6-03 settings • Check system mechanics
100E	Overtorque Det 2 (oL4)	<ul style="list-style-type: none"> • Check L6-05 and L6-06 settings • Check system mechanics
100F	DynBrk Transistor (rr)	Cycle drive power and replace drive if fault continues
1010	DynBrk Resistor (rH)	Check load, operating speed and deceleration time
1011	External Fault 3 (EF3)	<ul style="list-style-type: none"> • Multifunction digital input set to external fault • Circuit at terminal is closed
1012	External Fault 4 (EF4)	
1013	External Fault 5 (EF5)	
1014	External Fault 6 (EF6)	
1015	External Fault 7 (EF7)	
1016	External Fault 8 (EF8) <2>	
1017	Heatsink Fan (FAn)	Check drive cooling fan
1018	Overspeed Det (oS)	<ul style="list-style-type: none"> • Check reference and reference gain • Check F1-08 and F1-09 settings
1019	Speed Deviation (dEV)	<ul style="list-style-type: none"> • Check load, accel/decel times and system mechanics • Check F1-10 and F1-11 settings
101A	PG Open (PGo) <2>	Check PG card connections
101B	Input Phase Loss (PF)	Excessive input voltage fluctuation
101C	Output Phase Loss (LF)	<ul style="list-style-type: none"> • Check for broken wire/loose terminals • Check motor rating
101D	None	-
101E	Operator Disconnected (oPr)	Reconnect the digital operator
101F	EEPROM R/W Error (Err)	Cycle drive power and replace drive if fault continues
1020	None	-
1021	Comm Error (bUS)	<ul style="list-style-type: none"> • Check network cable connections. • Check 24 Vdc power supply voltage
1022		Check option installation and connections.
1023		Cycle drive power and replace option or drive if fault continues.
1024		
1025	Out of Control (CF)	<ul style="list-style-type: none"> • Check motor parameters • Auto-tune
1027	External Fault 0 (EF0)	<ul style="list-style-type: none"> • Check PLC program • Check MI switch setting • Check option LEDs for fault indication

<1> Drive error code is stored in MEMOBUS/Modbus address 0080 hex.

<2> Not available in V1000-series drives.

◆ Option Low Priority Alarm Codes

These codes are transmitted as Manufacturer Specific Diagnostic low priority alarms that can be seen in the PLC configuration software. These low priority codes are the same codes that appear in the drive manual, except with an offset of 0x1000.

Table 25 PROFINET Option Low Priority Alarm Codes

Drive Alarm Code (hex) <1>	Description	Drive Alarm Code (hex) <1>	Description
0401	Undervoltage (Uv)	0420	MEMOBUS/Modbus Test Mode Fault (SE)
0402	Overvoltage (ov)	0422	Motor Overheat (oH3)
0403	Heatsink Overheat (oH)	0427	PID Feedback Loss (FbL)
0404	Drive Overheat (oH2)	0428	PID Feedback Loss (FbH)
0405	Overtorque 1 (oL3)	042A	Drive Disabled (dnE)
0406	Overtorque 2 (oL4)	042B	PG Disconnected (PGo) <2>
0407	Rum Command Input Error (EF)	0431	Option Watchdog Error (E5)
0408	Drive Baseblock (bb)	0432	Option Station Address Setting Error (AEr)
0409	External Fault 3, input terminal S3 (EF3)	0433	Option Comm. Cycle Setting Error (CyC)
040A	External Fault 3, input terminal S4 (EF4)	0434	High Current Alarm (HCA)
040B	External Fault 3, input terminal S5 (EF5)	0435	Cooling Fan Maintenance Time (LT-1)
040C	External Fault 3, input terminal S6 (EF6)	0436	Capacitor Maintenance Time (LT-2)
040D	External Fault 3, input terminal S7 (EF7)	0438	Option EEPROM Error (EEP)
040E	External Fault 3, input terminal S8 (EF8) <2>	0439	External Fault (input terminal S1) (EF1)
040F	Cooling Fan Error (FAn)	043A	External Fault (input terminal S2) (EF2)
0410	Overspeed (oS)	043B	Safe Disable Input (HbbF)
0411	Excessive Speed Deviation (dEv)	043C	Safe Disable Input (Hbb)
0412	PG Disconnected (PGo) <2>	043D	Mechanical Weakening Detection 1 (oL5)
0414	MEMOBUS/Modbus Comm. Error (CE)	043E	Mechanical Weakening Detection 2 (UL5)
0415	Option Communication Error (bUS)	043F	PLC Alarm (PA1)
0416	Serial Comm. Transmission Error (CALL)	0440	PLC Alarm (PA2)
0417	Motor Overload (oL1)	0441	Output Voltage Detection Fault (voF)
0418	Drive Overload (oL2)	0442	IGBT Maintenance Time (90%) (TrPC)
041A	Option Card External Fault (EF0)	0443	Soft Charge Bypass Relay Maintenance Time (LT-3)
041B	Motor Switch Command Input during Run (rUn)	0444	IGBT Maintenance Time (50%) (LT-4)
041D	Serial Comm. Transmission Error (CALL)	0445	Braking Transistor Overload (boL)
041E	Undertorque Detection 1 (UL3)	0448	Motor Overheat (NTC Input) (oH5)
041F	Undertorque Detection 2 (UL4)	0449	DriveWorksEZ Alarm (dWAL)

<1> Drive error code is stored in MEMOBUS/Modbus address 0080 hex.

<2> Not available in V1000-series drives.

◆ Identification and Maintenance Functions (I&M)

The purpose of the I&M functions is to provide support for the customer during commissioning, parametrization and repair of the module. SI-EP3/V supports I&M function 0, which can be accessed using the Record data object's read request.

Function	Record Data Index
I&M0	0xAFF0

Structure of the I&M functions is described in the following tables.

Table 26 I&M0 Device Identification (Read-Only)

Content	Size	Description
Header	10 bytes	-
Vendor ID	2 bytes	PROFINET Vendor ID of Yaskawa, which is 0x019F
Order ID	20 bytes	Order number of the SI-EP3/V adapter kit (SI-EP3/V)
Serial number	16 bytes	Serial number of the adapter
Hardware revision	2 bytes	Hardware revision of the SI-EP3/V adapter
Software revision	4 bytes	Revision of the software
Revision counter	2 bytes	Number of revision
Profile ID	2 bytes	PROFIdrive (0x3A00)
Profile specific type	2 bytes	No profile specific type (0x0000)
I&M version	2 bytes	Version is 1.1 (0x0101)
Supported I&M functions	2 bytes	I&M0 is supported (0x0001)

◆ Diagnostic and Alarms

SI-EP3/V has mechanisms for sending alarms and saving diagnostics data to fault buffer. Alarm will be triggered if the host or drive has faults in communication or operation. There are three types of faults:

Fault	API/Slot/Sub-slot	Channel Error Type
Drive Fault	0x3A00 / 1 / 1	A fault declared in drive

◆ Alarm Mechanism

When a fault or alarm situation occurs in the drive, the SI-EP3/V adapter will send an alarm notification, which the master station must acknowledge. Refer to [Table 27](#) for details.

Table 27 Alarm Notification

Attribute	Description
BlockHeader	-
AlarmType	PROFINET specific alarm type
API	0x3A00 (PROFIdrive profile)
SlotNumber	Slot number of the Drive Object (DO)
SubslotNumber	Sub-slot number of the sub-slot to which the diagnosis object is related
ModuleIdentNumber	Module Ident number of the DO
SubmoduleIdentNumber	0xFFFF
AlarmSpecifier	Diagnosis type
UserStructureIdentifier	0x8000 (Channel Diagnosis Data)
ChannelNumber	0
ChannelProperties	0x0800 Diagnosis Appears 0x1000 Diagnosis Disappears
ChannelErrorType	Error code of drive fault or drive alarm

9 Web Interface

The web server interface to the drive option through port 80 allows management of diagnostic information through a standard web browser. The web page is a Java applet that creates a tabbed web page. The available tabs include:

- Main Tab
- Drive Status Tab
- Network Tab
- Doc links Tab
- Email Alerts Tab
- Parameter Access Tab^{<1>}
- Configuration Tab^{<1>}
- Custom Tab

Note: PCs must have Java SE 6 Update 14 or later installed to view the web pages. PCs without Java will display web pages with limited features.

Access the web server interface by typing the IP address of the SI-EP3/V option in a web browser address.

Example: "http://192.168.1.20"

The SI-EP3/V IP Address is available using V1000 drive digital operator to access Option Monitors U6-80 to U6-83. [Refer to Option Monitors on page 23.](#)

◆ Main Tab

The Main tab shows basic option information such as IP address, MAC address, and firmware version.



Figure 24 Main Tab View

^{<1>}The Parameter Access Tab and Configuration Tab are only accessible after entering a valid password.

◆ Drive Status Tab

The Drive Status tab shows basic I/O information and drive state information.

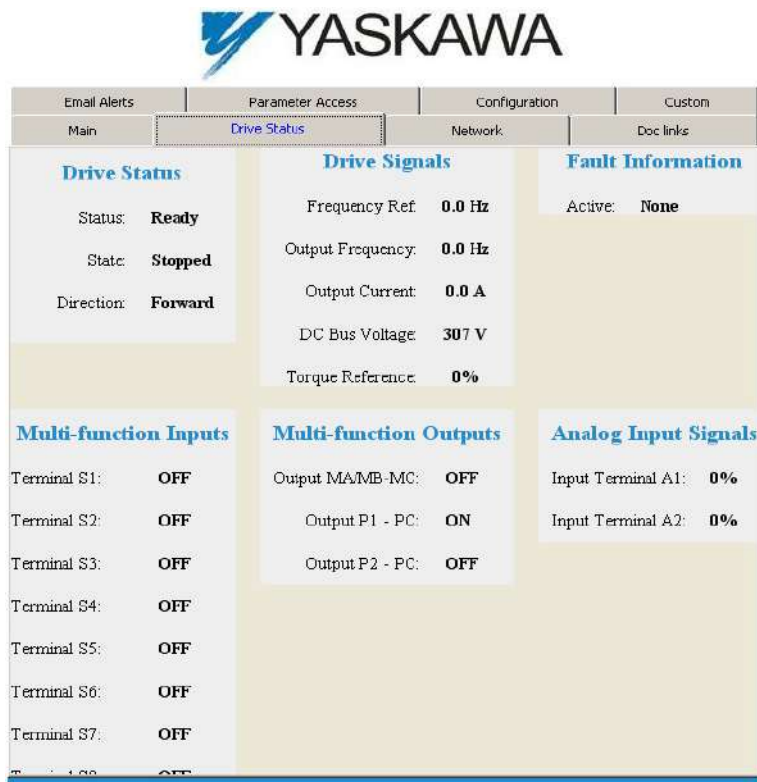


Figure 25 Drive Status Tab View

◆ Network Tab

The Network tab shows the status of the option network traffic and the status of open I/O connections.



Figure 26 Network Tab View

Table 28 Network Monitor Descriptions

Network Monitor	Explanation
Msg Tx OK	Cumulative number of messages transmit successfully from SI-EP3/V.
Msg Rx OK	Cumulative number of messages received successfully to SI-EP3/V.
Current Connections	Current number of open connections.
Control Connection Delta Time	The time between the last two writes to the Control register, MEMOBUS/Modbus address 0001H.
Msg Tx Dropped	Cumulative number of messages dropped due to output network buffer being full and unable to hold the new message.
Msg Rx Dropped	Cumulative number of messages dropped due to input network buffer being full and unable to hold the new message.
Collisions	Cumulative number of collisions (half duplex only) reported by the MAC/PHY (Media Access Control/ Physical Connection).
Msg Tx Errors	Cumulative number of transmit underruns and transmit stops reported by the MAC/PHY.
Msg Rx Errors	Cumulative number of receive overruns, receive stops, and receive error frames reported by the MAC/PHY.
Tx Retry	Cumulative number of transmits in which the 1st attempt was delayed due to busy medium reported by the MAC/PHY.
Note: Cumulative counters are reset when the power supply is cycled.	

◆ **Doc Links Tab**

The Doc links tab contains links to the option documentation on the Yaskawa website.

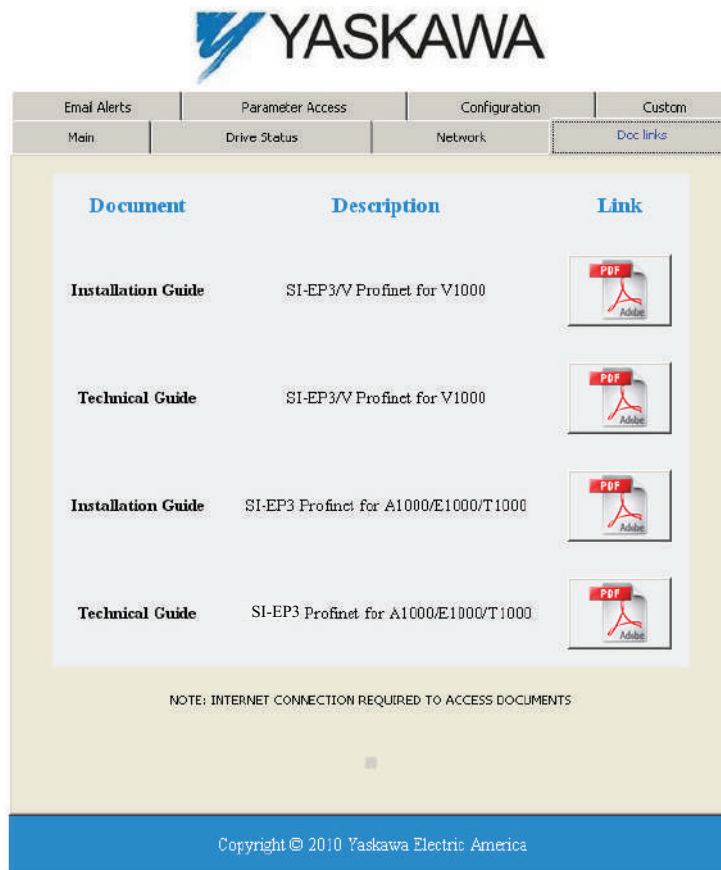


Figure 27 Doc Links Tab View

◆ Email AlertsTab

The Email Alerts tab allows the user to configure four Email Fault/Alarm conditions. When the condition is true, one email will be sent to the provided email address. Another email will not be sent until the condition becomes false and then true again. A 30-second timer prevents emails from being sent when conditions reoccur immediately after being removed. The timer helps limit the amount of emails sent regarding the same intermittent condition and helps to reduce network traffic by reducing emails about reoccurring errors.

The screenshot displays the 'Email Alerts' configuration page with four conditional email settings. Each setting includes a checkbox for 'Email Active', a title, a condition (Frequency Reference), a comparator, a value, a logical operator (OR or AND), a unit (Hz), an email address, a subject, and a message.

Conditional Email	Condition	Comparator	Value	Operator	Unit	Address	Subject	Message
Conditional Email 1	Frequency Reference	>=	3000	OR	Hz	414000000@email.uscc.net	This works	Is this saved
Conditional Email 2	Frequency Reference	>=	3000	OR	Hz	414000000@email.uscc.net	Got this fault	Hello you, this is a fault, another coming in 30 seconds hopefully.
Conditional Email 3	Frequency Reference	<	0	AND	Hz	ToAddress3@ToDomain3	Subject3	Text3
Conditional Email 4	Frequency Reference	<	0	AND	Hz	ToAddress4@ToDomain4	Subject4	This is the text for Fault 1.

Buttons at the bottom: Save to device, Cancel and reload.

Figure 28 Email Alerts Tab View

■ Procedure: Conditional Email Set-up

1. Define the condition that will trigger the email by selecting a monitor parameter, a comparator, and a value. Set up comparator values for the range of values to check in the chosen condition. If choosing only one condition and no OR or AND are needed, set the "OR/AND" drop-down selection to "NotUsed".
2. Enter the email address where the alert will be sent.
3. Enter the message that will appear in the email contents.
4. Enter the email subject.
5. Click the "Email Active" checkbox to enable the alert.

Clicking "Save to device" will save the entered information into the option memory.

Clicking "Cancel and reload" will cancel any pending edits and display the most recently saved settings from the option board.

◆ Parameter Access Tab

The Parameter Access tab allows the user to read and write parameters from the drive. Write access is restricted until a valid password is entered.



Figure 29 Parameter Access Tab View

The Modbus address for the drive parameter being accessed must be entered in hexadecimal. The number must begin with “0x” to signify hexadecimal.

Clicking “Read” will load and display the current value of the given Modbus Address. Clicking “Set” will save the given value to the given Modbus address.

After a “Read” or “Set” command is given, Status will display “Waiting” while the action is being carried out, then “Complete” is displayed when finished.

◆ Configuration Tab

The Configuration tab sets web page behavior parameters. Access is restricted unless a valid password is entered.



Figure 30 Configuration Tab View

■ Security Login

Enter a valid password and click “Log in”. The button text will change to “Log out” and the status will change to “Logged in”.

Note: The default security password is “yaskawa”.

This password can be changed in the “Change Password” section of the tab. Entering a valid password allows access to the settings in the Configuration tab, Email Alerts tab, and the Parameter Access tab.

■ Change Password

To change the password, enter the new password in the “New Password:” and “Confirm Password:” text boxes then click “Change password”. The Status display will change to “Idle” then “Changing Password” then “Password Changed”. If the passwords in the two text boxes do not match, the Status will display “Passwords don’t match”.

■ Option Card

The values displayed in the various tabs are refreshed at the rate defined in the “Applet Refresh Rate (ms)” text box. Enter values in the range of 1000 ms to 65.535 seconds.

Parameter Security can be enabled or disabled by clicking one of the radio buttons. When “Disabled” is selected, no password is necessary and all functions in the web pages will be available. When “Enabled” is selected, a valid password must be entered to edit email settings and to write parameters.

■ Email Settings

The “Email Server IP” text box must contain the IP address of the email server. The subnet address is configured in drive parameters F7-05 through F7-08. The configured email alerts will use the server at this address when sending emails.

Enter the email server port in the “Email Port” text box.

The value in the “From’ Email Address” text box identifies the origin of the email alerts to the recipient.

Click “Submit Email Parameters” to save the email settings to the option.

Click “Save Configuration Parameters to Flash” to save the entered values from this tab into non-volatile memory. These values will then be remembered after cycling power.

■ General Settings

Click “Save Options Card Parameters” to save the Applet Refresh Rate and the Parameter Security settings to the option.

◆ Custom Tab

The Custom tab displays a selection of quick setting parameters.

The screenshot displays the Yaskawa web interface. At the top is the Yaskawa logo. Below it is a navigation menu with tabs: Main, Drive Status, Network, Doc links, Email Alerts, Parameter Access, Configuration, and Custom. The Custom tab is selected. The main content area is titled "Drive Startup" and contains the following parameters:

- Frequency Source: Option Card (dropdown menu)
- Control Source: Option Card (dropdown menu)
- Acceleration Time: 25.0 sec
- Deceleration Time: 9.9 sec
- Frequency Upper Limit: 100.0 %
- Frequency Lower Limit: 0.0 %
- Graph Monitor Address: (empty text field)

Below the parameters is a "Save Drive Control Parameters" button. At the bottom of the main content area is a graph with a Y-axis labeled "y" (0 to 9) and an X-axis labeled "x" (340 to 370). The graph is currently empty. Below the graph is the text "Monitor Value [x: Time, y: Value]". At the very bottom of the page is a blue footer bar with the text "Copyright © 2010 Yaskawa Electric America".

Figure 31 Custom Tab View

10 Troubleshooting

◆ Drive-Side Error Codes

Drive-side error codes appear on the drive digital operator. Causes of the errors and corrective actions are listed in [Table 29](#). For additional error codes that may appear on the drive digital operator, refer to the drive Technical Manual available at

<http://www.yaskawa.com>.

■ Faults

Both bUS (Option Communication Error) and EF0 (External Fault Input from the option) can appear as an alarm or as a fault. When a fault occurs, the digital operator ALM LED remains lit. When an alarm occurs, the ALM LED flashes.

If communication stops while the drive is running, use the following questions as a guide to help remedy the fault:

- Is the option properly installed?
- Is the communication line properly connected to the option? Is it loose?
- Is the controller program working? Has the controller/PLC CPU stopped?
- Did a momentary power loss interrupt communications?

Table 29 Fault Display and Possible Solutions

LED Operator Display		Fault Name
<i>bUS</i>	bUS	Option Communication Error. After establishing initial communication, the connection was lost. Only detected when the run command or frequency reference is assigned to the option (b1-01 = 3 or b1-02 = 3).
Cause		Possible Solution
Master controller (PLC) has stopped communicating.		<ul style="list-style-type: none"> • Check that power is supplied to the PLC • Check that PLC is not in program mode
Communication cable is not connected properly.		<ul style="list-style-type: none"> • Check for faulty wiring • Correct any wiring problems
A data error occurred due to noise.		<ul style="list-style-type: none"> • Check the various options available to minimize the effects of noise • Counteract noise in the control circuit, main circuit, and ground wiring • If a magnetic contactor is identified as a source of noise, install a surge absorber to the contactor coil • Make sure the cable used meets the option requirements • Make sure the option ground wire is connected between option FE terminal and the drive ground terminal connected to earth ground
Option is damaged.		If there are no problems with the wiring and the error continues to occur, replace the option.

LED Operator Display		Fault Name
<i>EF0</i>	EF0	External Fault Input from the option. The alarm function for an external device is triggered.
Cause		Corrective Action
An external fault is being sent from the upper controller (PLC).		<ul style="list-style-type: none"> • Remove the cause of the external fault • Reset the external fault input from the PLC device
Problem with the PLC program.		Check the program used by the PLC and make the appropriate corrections.

LED Operator Display		Fault Name
<i>oFRO0</i>	oFA00	Option Fault. Option is not properly connected.
Cause		Possible Solution
Non-compatible option connected to the drive.		Connect an option that is compatible with the drive.

10 Troubleshooting

LED Operator Display		Fault Name
oFA01	oFA01	Option Fault.
		Option is not properly connected.
Cause		Possible Solution
Problem with the connectors between the drive and option.		Turn the power off and check the connectors between the drive and option.

LED Operator Display		Fault Name
oFA03	oFA03	Option Fault.
		Option self-diagnostics error.
Cause		Possible Solution
Option hardware fault.		Replace the option.

LED Operator Display		Fault Name
oFA04	oFA04	Option Fault.
		Option Flash write mode.
Cause		Possible Solution
Option hardware fault.		Replace the option.

LED Operator Display		Fault Name
oFA30 to oFA43	oFA30 to oFA43	Option Fault (Port A).
		Communication ID error.
Cause		Possible Solution
Option hardware fault.		Replace the option.

■ Minor Faults and Alarms

LED Operator Display		Minor Fault Name	
CALL	CALL	Serial Communication Transmission Error.	
		Communication is not established.	
Cause		Possible Solution	Minor Fault (H2-□□ = 10)
Communication wiring is faulty, there is a short circuit, or improper connection.		<ul style="list-style-type: none"> • Check for wiring errors • Correct the wiring • Remove ground shorts and reconnect loose wires 	YES
Programming error on the master side.		Check communications at start-up and correct programming errors.	
Communication circuitry is damaged.		<ul style="list-style-type: none"> • Perform a self-diagnostics check • Replace the drive if the fault continues to occur 	

■ Option Fault Monitors U6-98 and U6-99

The option can declare error/warning conditions via drive monitor parameters on the drive digital operator as shown in [Table 30](#).

Table 30 Option Fault Monitor Descriptions

Fault Condition	Fault Declared	Status Value (U6-98/U6-99)	Description
No Fault	n/a	0	No faults.
Force Fault	EF0	3	Network sent a message to force this node to the fault state.
Network Link Down	BUS ERROR	1300	No network link to option board.
Network Failure	BUS ERROR	1301	Connection with PLC Timeout.
Default MAC Address	None	1303	Factory default MAC Address programmed into the option. Return for reprogramming.
No IP Address	None	1304	No IP Address has been programmed into the option.
No Station Name	None	1305	No Station Name has been programmed into the option.
Config Error	None	1306	Configuration error on power-up.
Init. Failure	None	1307	Initialize error on power-up.
Permanent Communication Loss	BUS ERROR	1308	Fatal error in MAC/PHY hardware, requires power cycle to recover.

Two drive monitor parameters, U6-98 and U6-99 assist in network troubleshooting:

- U6-98 displays the first declared fault since the last power cycle. U6-98 is only cleared upon drive power-up.
- U6-99 displays the present option SI-EP3/V status. U6-99 is cleared upon a network-issued fault reset and upon power-up.

If another fault occurs while the original fault is still active, parameter U6-98 retains the original fault value and U6-99 stores the new fault status value.

11 Specifications

Table 31 Option Specifications

Item	Specification
Model	SI-EP3/V option
Option Conformance	Passed PROFINET Conformance Class A
Connector Type	Dual RJ45 8-pin Shielded Twisted Pair Cat 5e cable
Physical Layer Type	Isolated Physical Layer TCP Protocol Transformer Isolated
IP Address Setting	Programmable from drive keypad or network
Communication Speed	Programmable from drive keypad or network: 10/100 Mbps, auto-negotiate.
Number of Connections	1 PLC connection, 1 supervisor connection, 2 web page connections
Duplex Mode	Half-forced, Auto-negotiate, Full-forced
Address Startup Mode	Static, DCP
Ambient Temperature	-10 °C to +50 °C
Humidity	Up to 95% RH (no condensation)
Storage Temperature	-20 °C to +60 °C (allowed for short-term transport of the product)
Area of Use	Indoor (free of corrosive gas, airborne particles, etc.)
Altitude	Up to 1000 m
PROFINET Functions	PROFINET IO with PROFIdrive profile Configurable I/O in cyclic messages Drive diagnostic alarms I&M0
IEC Overvoltage Category	Intended for use in "Overvoltage Category II" as specified in IEC 60664-1

◆ Revision History

The revision dates and the numbers of the revised manuals appear on the bottom of the back cover.

MANUAL NO. SIEP YEACOM 06

Published in U.S.A. January 2011

11-01

└─ Date of
publication

└─ Date of original
publication

Date of Publication	Revision Number	Section	Revised Content
January 2011	–	–	First edition

YASKAWA AC Drive-V1000 Option

PROFINET

Technical Manual

YASKAWA AMERICA, INC.

2121 Norman Drive South, Waukegan, IL 60085, U.S.A.
Phone: (800) YASKAWA (927-5292) or 1-847-887-7000 Fax: 1-847-887-7310
<http://www.yaskawa.com>

YASKAWA ELÉTRICO DO BRASIL LTDA.

Avenda Fagundes Filho, 620 Bairro Saude, São Paulo, SP04304-000, Brasil
Phone: 55-11-3585-1100 Fax: 55-11-5581-8795
<http://www.yaskawa.com.br>



YASKAWA AMERICA, INC.

In the event that the end user of this product is to be the military and said product is to be employed in any weapons systems or the manufacture thereof, the export will fall under the relevant regulations as stipulated in the Foreign Exchange and Foreign Trade Regulations. Therefore, be sure to follow all procedures and submit all relevant documentation according to any and all rules, regulations and laws that may apply.

Specifications are subject to change without notice for ongoing product modifications and improvements.

© 2011 YASKAWA AMERICA, INC. All rights reserved.

MANUAL NO. SIEP YEACOM 06
Published in U.S.A. January 2011 11-01